



1810

# PRODUCT RANGE 2020

SINKS  
TAPS  
ACCESSORIES

[www.the1810company.co.uk](http://www.the1810company.co.uk)

# Contents

## Sinks

Bespoke	10
Axix Range	12
Zen Range	27
Zen15 Range	47
Zen15 PVD Range	61
Zen I-F Range	65
Zen15 I-F Range	71
Zen15 XXL Range	79
Zen15 Belfast Range	83
Zen10 Options Range	85
Accessible Range	93
Accessory Trough Range	95
LuxsoPlus Range	99
Etro Range	111
Razor10 Range	121
Forza Range	125
Bordo Range	129
Velore Range	133
 Blade Range	137
 Shard Range	141
 Cava Range	145
Argilla Fireclay Range	149
Etro Ceramic Range	155

## Taps

Fontaine	158
Courbe	159
Cascata	160
Pluie	161
Davanti	162
Curvato	163
Ruscello	164
1810XXX	165
Pendenza	166
Davanti Pull out spray	167
Grande	168
Versare	169
Finire Knurled	170
Aero	171
Novanta	172
Spirale Spring	173
Spirale Knurled	174
Spirale	175
Spirale Colours	176
Spruzzo	177
Curvato Trio filter tap	178
1810 XXX  effect	180
Courbe Duo - Black  effect	181
Courbe Duo - White  effect	182
Courbe - Chrome  effect	183
Cascata - Chrome  effect	184
Courbe - Copper  effect	185
Cascata - Copper  effect	186
Courbe - Gold Brass  effect	187
Cascata - Gold Brass  effect	188

## Traditional Taps

Rodez	190
Moulins	191



Courbe	195
Cascata	196

Waste Bins	197
Sinks/Taps quick ref	199
Accessories quick ref	208
Base unit size guide	210
Care & Cleaning	211
Warranty	212

# Ranges...

## Bespoke

The 1810 Bespoke service allows you to create a unique sink design to your own specification.

1

## Axix Range

This unique concept allows for a combination of solid surface, quartz or stone and a contemporary designed sink.

2

## Zen Range

The Zen range is a contemporary linear design with striking square and rectangular bowls.

## Zen15 Range

The Zen15 range has a contemporary linear design with a subtle 15mm internal radius.

3

## Zen15 PVD Range

A selection of handmade bowls finished in a durable PVD coating.

4

## Zen I-F Range

The Zen I-F range are handmade insets with a slim 1.5mm profile for a flush look.

5

## Zen15 I-F Range

The Zen15 I-F range are handmade insets with a 15mm internal radius

6

## Zen15 XXL Range

The Zen15 XXL range are extra large handmade undermounts with a 15mm internal radius.

7

## Zen15 Belfast Range

A contemporary option to a traditional Belfast sink which looks perfect in both traditional and modern kitchen designs.

8

## Zen10 Options Range

A range of contemporary undermount sinks with a choice of versatile accessories to turn your sink into a multi-purpose workstation.

9

## Accessible Range

A sink and tap combination suitable for use in accessible kitchens

10

## Accessory Trough Range

The versatile Accessory Trough range is the perfect final touch to every kitchen.

11

## LuxsoPlus Range

The LuxsoPlus range is a contemporary design with 25mm radius corners.

12

## Etro Range

The Etro range has a curved classic design.

## Razor Range

A range of stainless steel inset sinks featuring a 10mm radius and contemporary 'Razor' edge profile.

13

## Forza Range

The handmade Forza range feature a 10mm internal radius and benefit from 1.2mm thick steel providing strength and durability.

## Bordo Range

A range of inset sinks featuring the latest in contemporary design.

## Velore Range

The Velore range combines modern design, high specification and competitive pricing.

## Blade Range

A range of inset Purquartz sinks in a choice of six popular colourways.

14

## Shard Range

Quartz insets in a choice of contemporary colours.

15

## Cava Range

Quartz undermounts for a contrasting finish to your solid surface.

16

## Argilla Fireclay Range

A range of highly durable white fireclay sinks featuring a non-porous surface with an everlasting shine.

## Etro Ceramic Range

The Etro Ceramic range has a curved classic design.

17

## Contemporary Taps

1810 taps are available in a variety of contemporary and classic designs. All are supplied with a Neoperl Aerator for a non-splash creamy flow

18

## Taps

A selection of 1810 taps that will match perfectly with your Purquartz sink.

19

## Traditional Taps

A range of timeless kitchen taps to compliment classic kitchen styles.

20

## Taps

QFIT taps can be installed single-handedly in approximately seven minutes and their unique installation method eliminates remedial work.

21

## Waste bins and Quick Ref Guide

# Welcome...

to The 1810 Company.

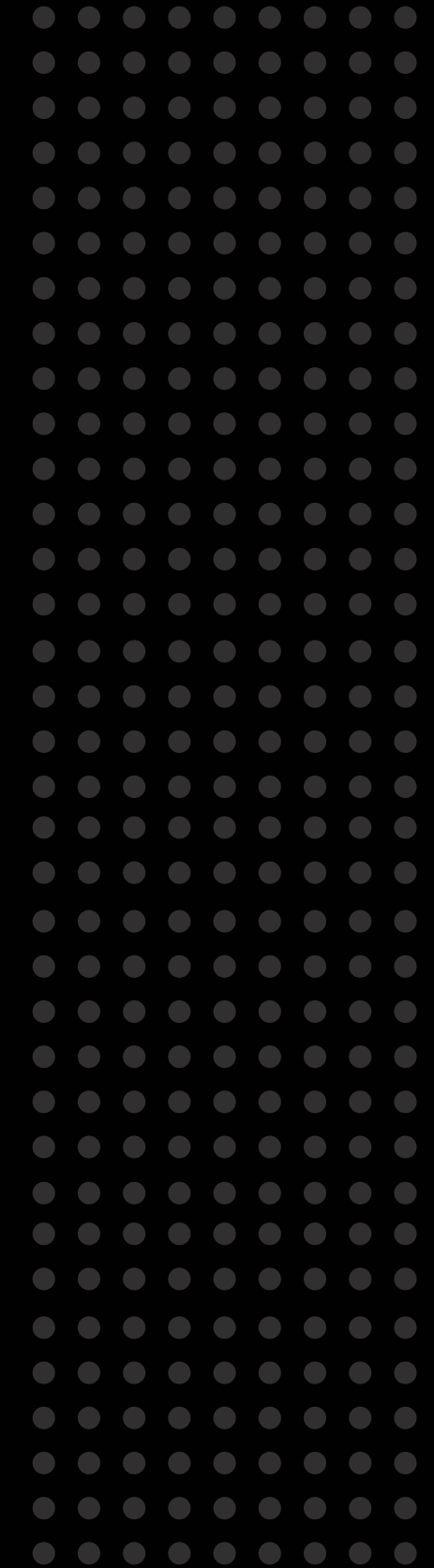
We supply an evergrowing range of sinks, taps and accessories, and that's it! We have a simple philosophy, which is to supply innovative and contemporary European design in a wide range of standard and more unique size combinations, appealing to those who appreciate superior quality and style.

The 1810 Company is a constantly evolving business and although we do update our printed literature 3 times a year, we can't always include our latest products.

So please visit our website for the latest news, technical advice and information.

All our products are in stock and despatched from our UK distribution centre on a next working day delivery service (cut-off times apply).

[www.the1810company.co.uk](http://www.the1810company.co.uk)





## Islington Trade Showroom

Our dedicated trade showroom is located in the Business Design Centre, London. The majority of our sinks and taps are showcased here together with our latest products and innovations.

As we hold regular trade events at the showroom, we would recommend that you telephone ahead of your visit to ensure that there will be someone available to meet with you.

### Address.

Suite 303, Business Design Centre  
Upper Street, The Angel, London N1 0QH

Tel. 07754 757322

Email. [sales@the1810company.co.uk](mailto:sales@the1810company.co.uk)

Opening hours: Mon – Fri: 9am – 5pm

### Visiting us

**By train:** We are 5 minutes walk from The Angel tube station (Northern line) allowing you to travel to and from Central London in minutes. Just a little further in the opposite direction is Highbury and Islington with great underground and overground connections.

**By car:** Driving to the venue is simple as we are located just outside the congestion charge zone on the A1, there is also a NCP car park onsite



## What our customers say about us...

“ Using the 1810 product gives us more scope and flexibility entering the project market for sinks & taps, the product is the perfect fitment for new builds and as a personal user of their tap & sink it's something we can easily promote in volume with the brand customer satisfaction. The aftersales is the best we have come across for many years.”

*Liam Hopper, Leicht Contracts Ltd*

“ We choose to use The 1810 Company for all our sink and tap requirements because we find the quality of your whole process from placing our order through to delivery to be absolutely first class and second to none. You and all your staff are extremely polite, helpful and efficient and are an absolute dream to deal with, and I would highly recommend your company to everyone. The products you supply are of a very high quality and competitively priced and that added to the service you give makes your company the perfect fit for us.”

*John Russell, C&J Stonemasonry Ltd*

“ From their knowledge of product to the speedy efficiency of delivery direct from stock, we enjoy the benefits of our working relationship with 1810.”

*John, EB Granite Ltd*

“ The 1810 Company are a fantastic supplier of sinks and taps. From the quality of their products to their excellent customer service, Neil and the rest of the team at 1810 are a pleasure to deal with. I couldn't recommend them highly enough.”

*Ian, Grantech Ltd*

“ We would thoroughly recommend 1810, they provide excellent products which our clients are very pleased with as well as being a professional and efficient company to work with!”

*Russell Jones, Russell Jones Kitchens & Bedrooms Ltd*

“ Pleasure to do business with, great product, great service and great staff. Very rarely do you have no issues with a supplier but I can honestly say 1810 have delivered in all areas from day one.”

*Mike Boyden, Bellagio Stone Ltd*

“ Dealt with The 1810 Company for a number of years now, we have always been extremely happy with the quality and pricing of their products and also the level of customer service that we receive.”

*David Scarborough, Affordable Granite and Marble Ltd*

“ Great quality products plus very helpful staff with next day delivery.”

*Michael Shaw, MD Change of Style*

“ Great quality, at a great price!!  
Next day delivery is a massive plus!!”

*Matt Crawford, Granite Zone Ltd*

“ The 1810 Company offer more than a first class range of products. We've been extremely impressed by their efficiency & customer service and if we ever require technical advice or assistance we can rely on Neil to provide the support we need. They are constantly seeking to improve and it's refreshing to work with a company that puts quality first. In short, a company you can trust.”

*Paul Hepburn, The Kitchen Station Ltd*

“ The 1810 range of composite sinks, along with a good range of styles and colour choice is a winner for us. In addition, 1810 offer a great range of quality taps, all from stock and with excellent delivery times. The Cavado undermount being especially useful as can be used for left or righthand installation.”

*Rob Lauder, Modern Homes Ltd*

“ Every step of the process when dealing with The 1810 Company is flawless. The staff are friendly and helpful and Neil is fantastic at keeping us up to date with new products. It's been amazing to watch them grow as a company. The next day delivery service is great. Happily recommend them to anyone looking for a hassle free supplier of good quality products.”

*Ceri Salter, Ruby Granite Ltd*

“ 1810 are a great business partner and supplier to SK. We love the ease of doing business, the communication and the great customer service. Their products show real innovation and we look forward to seeing what the future holds.”

*Nathan Hopper, Simply Kitchens Ltd*

“ As The 1810 Company have been growing in the industry, so too has our turnover with them. Their unbeatable value for money, coupled with a next day delivery service and the ability to react quickly to completely bespoke products means we have found their ranges very easy to quote for and sell through to our customers.”

*David Hannuna, Woodall Refrigeration Ltd*

“ We have been in a working relationship with 1810 since the opening of our new showroom in Wakefield and have a super relationship with all the staff. The products are of excellent quality and their aftersales is second to none. Deliveries are arranged at the very earliest dates and nothing is too much trouble if we need product urgently.”

*Gary Wade, Seamless Solid Surfaces*

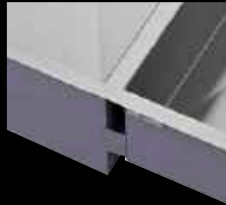
# And now the boring stuff...

We don't want to be too technical but there are some features about The 1810 Company sinks and taps we think you would like to know.



Here at The 1810 Company we like to keep things simple so you will notice in our model codes 'BBR' & 'BBL' this is an easy reference for you when ordering...

**BBR** - Big bowl right  
**BBL** - Big bowl left  
See... simple!



Quality of manufacturing and integrity of the sinks is very important. We brace all two bowl sinks to eliminate stress on the bridge between the bowls and strengthen the construction (available on all Zen, Luxsoplus and Etro steel sinks).



During manufacture we go the extra mile to finish the edges on our undermount sinks even though it isn't seen when fitted. It also allows certain models to be inset / topmounted for a more luxurious look.



The quality of steel we use meets the most exacting standards 1.2mm, 18 gauge is used for our Zen, Etro, Forza and Luxsoplus models and all steel used is medical grade 18/10 304 quality. The best for stainless steel sink manufacturing.



## INSUSOUND®

Our sinks are treated on the underside with a protective powder coating, which we call 'Insusound'. This will help retain the heat of the water in the bowl, and dramatically reduce noise when fitting a waste disposal unit. (Available on all Zen, Luxsoplus and Etro steel sinks).



A Compact Plumbing Kit is available as a no cost option – please specify at time of sink purchase.



Most 1810 sinks are supplied with a BS approved maximiser plumbing kit, which is also available to purchase separately. This kit is comprehensive and includes all parts required for any sink installation.

Please refer to the 'How to assemble' video on our website.



A range of quality kitchen taps which not only look great, they can be installed by one person in just seven minutes.



1810 products are manufactured to the highest standard. In accordance with the Construction Products Directive (89 / 106 / EEC), all of our sinks are tested to BS EN 13310: 2003 / BS EN 13310 : 2015 and are CE certified.



The majority of our taps have WRAS approval. Look out for the logo on our tap pages. WRAS Approval is granted by representatives of water suppliers and is therefore accepted by every water supplier in the UK. WRAS Approval is the best way to ensure compliance and that your tap is manufactured to the highest standards.



High heat resistance (1200°C) hygienic and non-porous as well as chemical resistant makes our **CERAMICA | PURO** a popular choice. The ultra smooth white surface gives a clean look. Make sure you follow the installation guide.



Fireclay sinks are heat resistant to 1600°C and are hygienic, non-porous and chemical resistant. They are extremely hardwearing and feature an everlasting shiny surface.



The **purquartz** range is manufactured using German technology. Comprising of 80% natural Quartz particles, the sinks are heat resistant (230°C) food stain resistant and will withstand impact. These sinks are durable and made to last, backed by our 75 year guarantee.



**What is PVD?**  
PVD stands for Physical Vapour Deposition. A process used to create a very durable, corrosion and tarnish free finish. PVD is extremely durable but not invincible, scratches will appear as they do with stainless steel but will also develop a patina with time.

THE 1810 COMPANY SUPPORTS



REG CHARITY: 1062559 (ENGLAND & WALES),  
SC039757 (SCOTLAND)

Are a dedicated charity who support young people who have been diagnosed with cancer in the UK. For every 1810 Curvato Trio tap purchased, we will donate £5 to this very worthy cause.



Business management software for the kitchen, bedroom and bathroom industry.



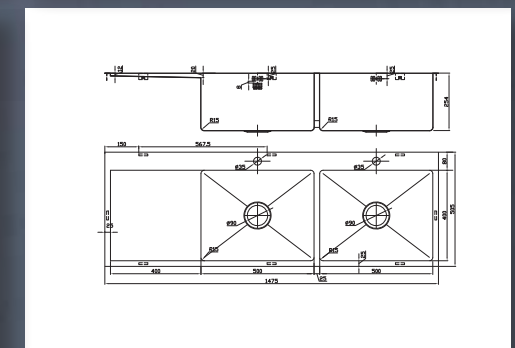
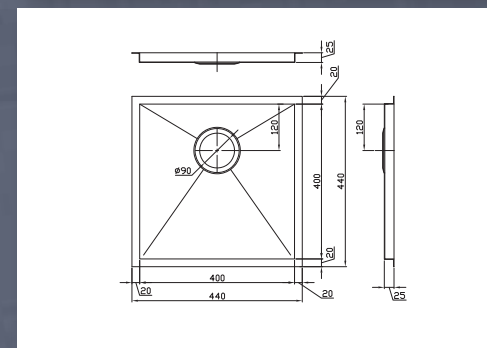
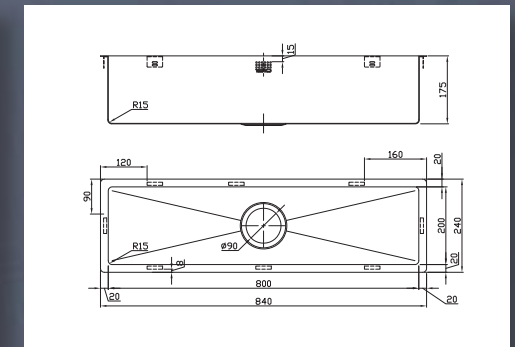
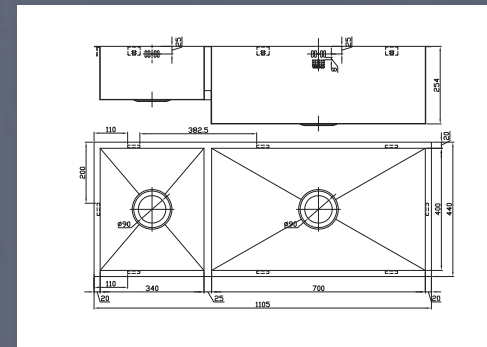
A powerful sales tool to help kitchen dealers create advanced kitchen designs in minutes.



## Bespoke kitchen sink manufacturing service

The **1810 Bespoke** service allows you to create a unique sink design either for personal preference or to work within design and space limitations.

Please see below for examples of Bespoke project requests undertaken.



# AXIX

Seamless Technology



This unique concept allows for a combination of solid surface, quartz or stone and a contemporary designed sink to give a finished look of a steel bottomed material clad sink but without a join between the surface and the sink at the base, that previously was the only option.

This system allows for a straightforward fabrication method that can be completed in the workshop using standard tools and create a watertight solution that allows the use of hot/boiling water taps and creates an upmarket contemporary finish.

The AXIX sinks are manufactured to the same exacting standards of every 1810 sink using 1.2mm, 304 grade stainless steel. A PVD finish in Copper, Gunmetal or Gold Brass is also available. All sinks have protective powder coating on the underside (Insusound) which insulates helping to retain the heat of the water in the bowl whilst also reducing noise if a waste disposer is fitted. A full maximiser plumbing kit is also supplied providing all parts required for any sink installation.

AXIX is also backed by our 75 year guarantee that warrants the sinks to be free of manufacturing defects in material and workmanship under normal usage. Any warranty on the fabrication component is the responsibility of the fabricator or retailer.



AXIX Set A (shown here) and Set B are suitable for installation in a 600mm cabinet









**Base Unit Guide.**

300mm



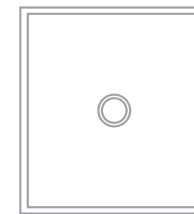
AXIX UNO 190U

300mm



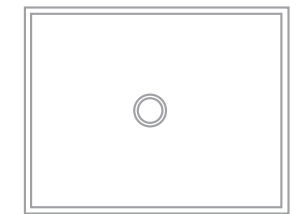
AXIX UNO 210U

500mm



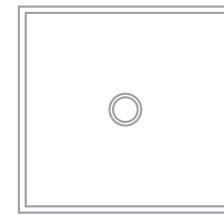
AXIX UNO 450U

800mm



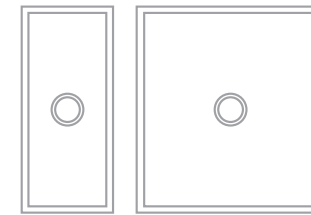
AXIX UNO 700U

600mm



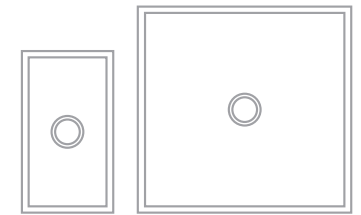
AXIX UNO 500U

600mm



SET A

600mm



SET B

A combination of bowl sizes can be used for bigger base units



STAINLESS STEEL



GOLD BRASS



COPPER



GUNMETAL



STAINLESS STEEL



GOLD BRASS



COPPER



GUNMETAL

## AXIXUNO 190U

- Handmade bowl
- Insusound®
- 3½" basket strainer waste and overflow included
- Individually boxed
- Steel thickness 1.2mm
- Maximiser plumbing kit inc.
- Axix waste tidy included with stainless steel model
- Available in stainless steel, copper, gunmetal & gold brass

Minimum cabinet size: 300mm

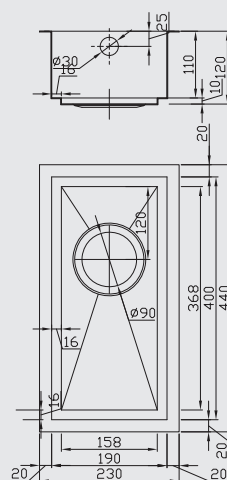
### 16mm - Solid Surface

Sink Model **AXIXUNO 190U STAINLESS STEEL SOS**  
1810 Code **AU/19/U/S/16MM/SOS/456**

Sink Model **AXIXUNO 190U COPPER SOS**  
1810 Code **AU/19/U/COP/16MM/SOS/556**

Sink Model **AXIXUNO 190U GUNMETAL SOS**  
1810 Code **AU/19/U/GM/16MM/SOS/656**

Sink Model **AXIXUNO 190U GOLD BRASS SOS**  
1810 Code **AU/19/U/GB/16MM/SOS/756**



## AXIXUNO 210U

- Handmade bowl
- Insusound®
- 3½" basket strainer waste and overflow included
- Individually boxed
- Steel thickness 1.2mm
- Maximiser plumbing kit inc.
- Axix waste tidy included with stainless steel model
- Available in stainless steel, copper, gunmetal & gold brass

Minimum cabinet size: 300mm

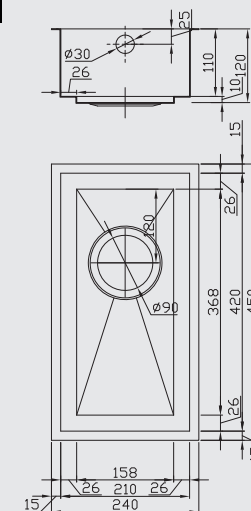
### 26mm - Solid Surface

Sink Model **AXIXUNO 210U STAINLESS STEEL QG**  
1810 Code **AU/21/U/S/26MM/QG/459**

Sink Model **AXIXUNO 210U COPPER QG**  
1810 Code **AU/21/U/COP/26MM/QG/559**

Sink Model **AXIXUNO 210U GUNMETAL QG**  
1810 Code **AU/21/U/GM/26MM/QG/659**

Sink Model **AXIXUNO 210U GOLD BRASS QG**  
1810 Code **AU/21/U/GB/26MM/QG/759**





## AXIXUNO 450U

- Handmade bowl
- Insusound®
- 3½" basket strainer waste and overflow included
- Individually boxed
- Steel thickness 1.2mm
- Maximiser plumbing kit inc.
- Axix waste tidy included with stainless steel model
- Available in stainless steel, copper, gunmetal & gold brass

Minimum cabinet size: 500mm

16mm - Solid Surface	
Sink Model	AXIXUNO 450U STAINLESS STEEL SOS
1810 Code	AU/45/U/S/16MM/SOS/450
Sink Model	AXIXUNO 450U COPPER SOS
1810 Code	AU/45/U/COP/16MM/SOS/550
Sink Model	AXIXUNO 450U GUNMETAL SOS
1810 Code	AU/45/U/GM/16MM/SOS/650
Sink Model	AXIXUNO 450U GOLD BRASS SOS
1810 Code	AU/45/U/GB/16MM/SOS/750

26mm - Stone/Quartz/Ceramic	
Sink Model	AXIXUNO 450U STAINLESS STEEL QG
1810 Code	AU/45/U/S/26MM/QG/451
Sink Model	AXIXUNO 450U COPPER QG
1810 Code	AU/45/U/COP/26MM/QG/551
Sink Model	AXIXUNO 450U GUNMETAL QG
1810 Code	AU/45/U/GM/26MM/QG/651
Sink Model	AXIXUNO 450U GOLD BRASS QG
1810 Code	AU/45/U/GB/26MM/QG/751

## AXIXUNO 500U

- Handmade bowl
- Insusound®
- 3½" basket strainer waste and overflow included
- Individually boxed
- Steel thickness 1.2mm
- Maximiser plumbing kit inc.
- Axix waste tidy included with stainless steel model
- Available in stainless steel, copper, gunmetal & gold brass

Minimum cabinet size: 600mm

16mm - Solid Surface	
Sink Model	AXIXUNO 500U STAINLESS STEEL SOS
1810 Code	AU/50/U/S/16MM/SOS/452
Sink Model	AXIXUNO 500U COPPER SOS
1810 Code	AU/50/U/COP/16MM/SOS/552
Sink Model	AXIXUNO 500U GUNMETAL SOS
1810 Code	AU/50/U/GM/16MM/SOS/652
Sink Model	AXIXUNO 500U GOLD BRASS SOS
1810 Code	AU/50/U/GB/16MM/SOS/752

26mm - Stone/Quartz/Ceramic	
Sink Model	AXIXUNO 500U STAINLESS STEEL QG
1810 Code	AU/50/U/S/26MM/QG/453
Sink Model	AXIXUNO 500U COPPER QG
1810 Code	AU/50/U/COP/26MM/QG/553
Sink Model	AXIXUNO 500U GUNMETAL QG
1810 Code	AU/50/U/GM/26MM/QG/653
Sink Model	AXIXUNO 500U GOLD BRASS QG
1810 Code	AU/50/U/GB/26MM/QG/753



STAINLESS STEEL



GOLD BRASS



COPPER



GUNMETAL

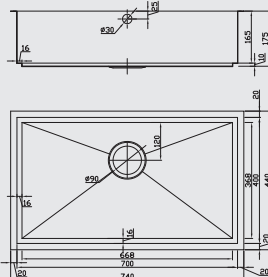
## AXIXUNO 700U

- Handmade bowl
- Insusound®
- 3½" basket strainer waste and overflow included
- Individually boxed
- Steel thickness 1.2mm
- Maximiser plumbing kit inc.
- Axix waste tidy included with stainless steel model
- Available in stainless steel, copper, gunmetal & gold brass

Minimum cabinet size: 800mm

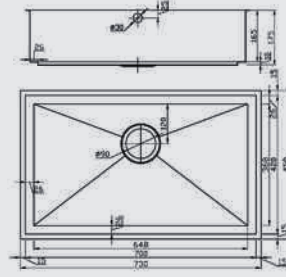
### 16mm - Solid Surface

Sink Model	AXIXUNO 700U STAINLESS STEEL SOS
1810 Code	AU/70/U/S/16MM/SOS/454
Sink Model	AXIXUNO 700U COPPER SOS
1810 Code	AU/70/U/COP/16MM/SOS/554
Sink Model	AXIXUNO 700U GUNMETAL SOS
1810 Code	AU/70/U/GM/16MM/SOS/654
Sink Model	AXIXUNO 700U GOLD BRASS SOS
1810 Code	AU/70/U/GB/16MM/SOS/754



### 26mm - Stone/Quartz/Ceramic

Sink Model	AXIXUNO 700U STAINLESS STEEL QG
1810 Code	AU/70/U/S/26MM/QG/455
Sink Model	AXIXUNO 700U COPPER QG
1810 Code	AU/70/U/COP/26MM/QG/555
Sink Model	AXIXUNO 700U GUNMETAL QG
1810 Code	AU/70/U/GM/26MM/QG/655
Sink Model	AXIXUNO 700U GOLD BRASS QG
1810 Code	AU/70/U/GB/26MM/QG/755



STAINLESS STEEL



GOLD BRASS



COPPER



GUNMETAL

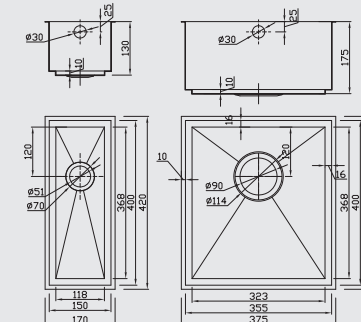
## AXIXUNO - SET A

- Handmade bowls
- Insusound®
- 3½" and mini basket strainer wastes and overflows included
- Individually boxed
- Steel thickness 1.2mm
- Maximiser plumbing kit inc.
- Axix waste tidy included with stainless steel model
- Available in stainless steel, copper, gunmetal & gold brass

Minimum cabinet size: 600mm

### SET A - 16mm

Sink Model	AXIXUNO SET A - 355U & 150U STAINLESS STEEL (full half bowl)
1810 Code	AU/3515-400/U/S/16MM/SOS/457
Sink Model	AXIXUNO SET A - 355U & 150U COPPER (full half bowl)
1810 Code	AU/3515-400/U/COP/16MM/SOS/557
Sink Model	AXIXUNO SET A - 355U & 150U GUNMETAL (full half bowl)
1810 Code	AU/3515-400/U/GM/16MM/SOS/657
Sink Model	AXIXUNO SET A - 355U & 150U GOLD BRASS (full half bowl)
1810 Code	AU/3515-400/U/GB/16MM/SOS/757





GOLD BRASS



COPPER



GUNMETAL

STAINLESS STEEL

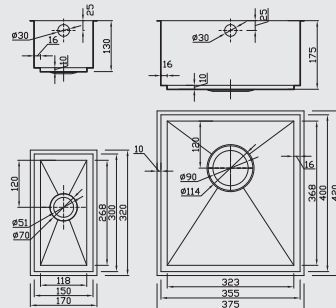
## AXIXUNO - SET B

- Handmade bowls
- Insusound®
- 3½" and mini basket strainer wastes and overflows included
- Individually boxed
- Steel thickness 1.2mm
- Maximiser plumbing kit inc.
- Axix waste tidy included with stainless steel model
- Available in stainless steel, copper, gunmetal & gold brass

Minimum cabinet size: 600mm

### SET B - 16mm

- |            |   |
|------------|---|
| Sink Model | AXIXUNO SET B - 355U & 150U STAINLESS STEEL (short half bowl) |
| 1810 Code  | AU/3515-300/U/S/16MM/SOS/458                                  |
| Sink Model | AXIXUNO SET B - 355U & 150U COPPER (short half bowl)          |
| 1810 Code  | AU/3515-300/U/COP/16MM/SOS/558                                |
| Sink Model | AXIXUNO SET B - 355U & 150U GUNMETAL (short half bowl)        |
| 1810 Code  | AU/3515-300/U/GM/16MM/SOS/658                                 |
| Sink Model | AXIXUNO SET B - 355U & 150U GOLD BRASS (short half bowl)      |
| 1810 Code  | AU/3515-300/U/GB/16MM/SOS/758                                 |





## The Zen Range

The Zen range is a contemporary linear design featuring striking square and rectangular bowls.

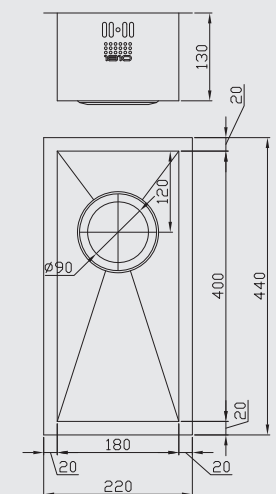


SINK Model **ZENUNO 180U**

1810 Code **ZU/18/U/S/017**

- Undermounted handmade bowl, can also be flushmounted or inset
- Satin finish
- Insusound®
- 3½" basket strainer waste and overflow included
- Individually boxed
- Steel thickness 1.2mm
- Maximiser plumbing kit included

Minimum cabinet size: 300mm  
For accessories see pages 208, 209



Shown with waste tidy, see page 209



“An extra deep bowl is a personal choice”

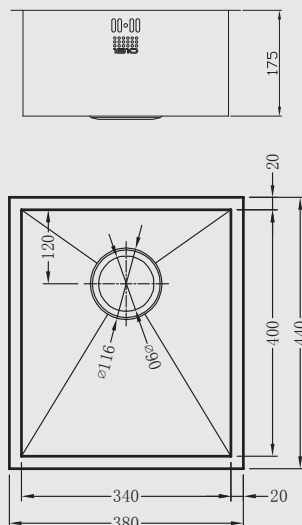
## SINK Model ZENUNO 340U

1810 Code **ZU/34/U/S/018**

- Undermounted handmade bowl  
Can also be flushmounted or inset
- Satin finish
- Insusound®
- 3½" basket strainer waste and overflow included
- Individually boxed
- Steel thickness 1.2mm
- Maximiser plumbing kit included



Shown with waste tidy, see page 209



Minimum cabinet size: 400mm  
For accessories see pages 208, 209

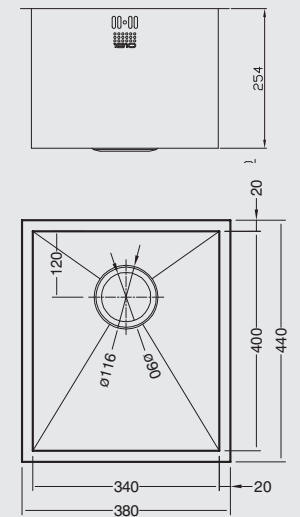
## SINK Model ZENUNO 340U DEEP

1810 Code **ZU/34/U/D/S/70**

- Undermounted handmade bowl, can also be flushmounted or inset
- Satin finish
- Insusound®
- 3½" basket strainer waste and overflow included
- Individually boxed
- Steel thickness 1.2mm
- Maximiser plumbing kit included



Shown with waste tidy, see page 209



Minimum cabinet size: 400mm  
For accessories see pages 208, 209



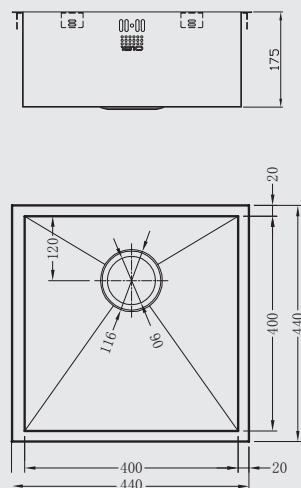
SINK Model **ZENUNO 400U**1810 Code **ZU/40/U/S/019**

- Undermounted handmade bowl includes clips for flush or inset installation
- Satin finish
- Insusound®
- 3½" basket strainer waste and overflow included
- Individually boxed
- Steel thickness 1.2mm
- Maximiser plumbing kit included

Minimum cabinet size: 450mm  
For accessories see pages 208, 209



Shown with waste tidy, see page 209

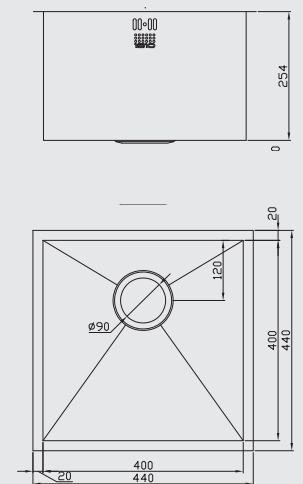
SINK Model **ZENUNO 400U DEEP**1810 Code **ZU/40/U/D/S/071**

- Undermounted handmade bowl includes clips for flush or inset installation
- Satin finish
- Insusound®
- 3½" basket strainer waste and overflow included
- Individually boxed
- Steel thickness 1.2mm
- Maximiser plumbing kit included

Minimum cabinet size: 450mm  
For accessories see pages 208, 209



Shown with waste tidy, see page 209

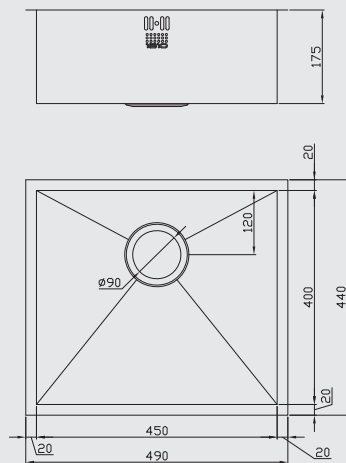




## SINK Model ZENUNO 450U

1810 Code **ZU/45/U/S/020**

- Undermounted handmade bowl includes clips for flush or inset installation
- Satin finish
- Insusound®
- 3½" basket strainer waste and overflow included
- Individually boxed
- Steel thickness 1.2mm
- Maximiser plumbing kit included



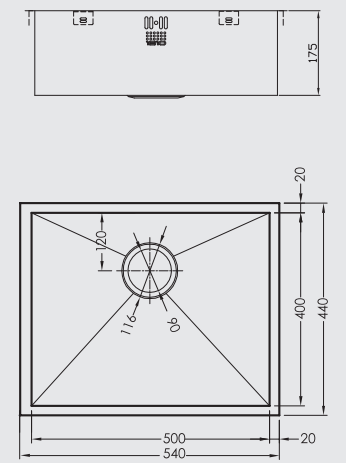
Shown with waste tidy, see page 209

Minimum cabinet size: 500mm  
For accessories see pages 208, 209

## SINK Model ZENUNO 500U

1810 Code **ZU/50/U/S/021**

- Undermounted handmade bowl includes clips for flush or inset installation
- Satin finish
- Insusound®
- 3½" basket strainer waste and overflow included
- Individually boxed
- Steel thickness 1.2mm
- Maximiser plumbing kit included



Shown with waste tidy, see page 209

Minimum cabinet size: 600mm  
For accessories see pages 208, 209



“With many people having waste bins, hot taps and waste disposers in their sink base, the offset waste model maximises the space available”

### SINK Model ZENUNO 500U DEEP

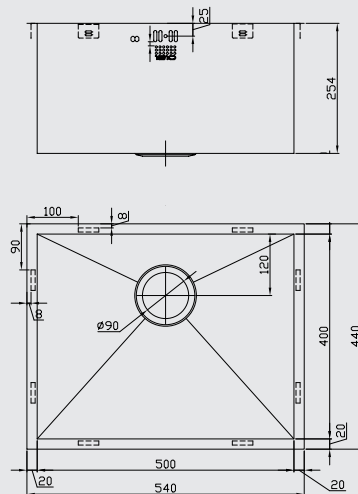
1810 Code **ZU/50/U/D/S/074**

- Undermounted handmade bowl includes clips for flush or inset installation
- Satin finish
- Insusound®
- 3½" basket strainer waste and overflow included
- Individually boxed
- Steel thickness 1.2mm
- Maximiser plumbing kit included

Minimum cabinet size: 600mm  
For accessories see pages 208, 209



Shown with waste tidy, see page 209



### SINK Model ZENUNO 500U OSW

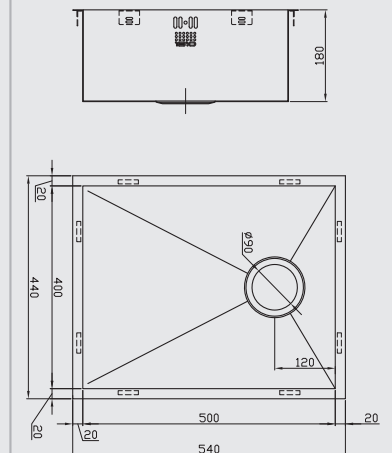
1810 Code **ZU/50/U/S/OSW/061**

- Undermounted handmade bowl includes clips for flush or inset installation
- Satin finish
- Insusound®
- 3½" basket strainer waste and overflow included
- Individually boxed
- Steel thickness 1.2mm
- Maximiser plumbing kit included

Minimum cabinet size: 600mm  
For accessories see pages 208, 209



Shown with waste tidy, see page 209





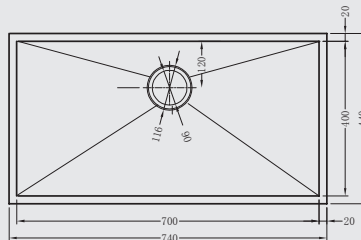
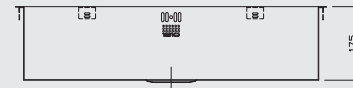
“Generous dimensions for large oven trays and pans”



## SINK Model ZENUNO 700U

1810 Code **ZU/70/U/S/023**

- Undermounted handmade bowl includes clips for flush or inset installation
- Satin finish
- Insusound®
- 3 1/2" basket strainer waste and overflow included
- Individually boxed
- Steel thickness 1.2mm
- Maximiser plumbing kit included



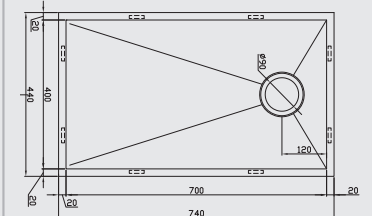
Minimum cabinet size: 800mm  
For accessories see pages 208, 209

Shown with waste tidy, see page 209

## SINK Model ZENUNO 700U OSW

1810 Code **ZU/70/U/S/OSW/062**

- Undermounted handmade bowl includes clips for flush or inset installation
- Satin finish
- Insusound®
- 3 1/2" basket strainer waste and overflow included
- Individually boxed
- Steel thickness 1.2mm
- Maximiser plumbing kit included



Minimum cabinet size: 800mm  
For accessories see pages 208, 209

Shown with waste tidy, see page 209



Image shown  
ZENDUO 340/180U BBL



“The big brother to the popular 340/180 with a bigger main bowl for larger cooking utensils”

Image shown  
ZENDUO 550/180U BBL

SINK Model **ZENDUO 340/180U BBL**  
SINK Model **ZENDUO 180/340U BBR**

1810 Code **ZD/3418/U/S/BBL/022**  
1810 Code **ZD/1834/U/S/BBR/024**

SINK Model **ZENDUO 550/180U BBL**  
SINK Model **ZENDUO 180/550U BBR**

1810 Code **ZD/5518/U/S/BBL/028**  
1810 Code **ZD/1855/U/S/BBR/029**

- Undermounted handmade bowl includes clips for flush or inset installation
- Satin finish
- Insusound®
- 3 1/2" basket strainer waste and overflow included
- Individually boxed
- Steel thickness 1.2mm
- Maximiser plumbing kit included

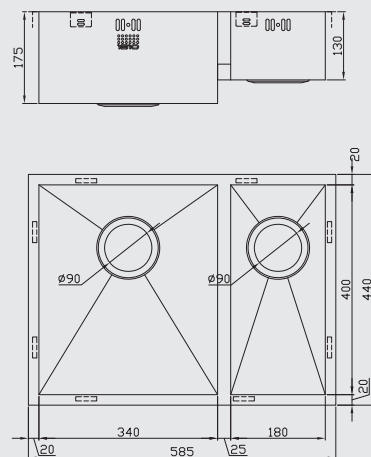


Zenduo 180/340U BBR



Zenduo 340/180U BBL

Shown with waste tidy, see page 209



Minimum cabinet size: 600mm  
For accessories see pages 208, 209

- Undermounted handmade bowl includes clips for flush or inset installation
- Satin finish
- Insusound®
- 3 1/2" basket strainer waste and overflow included
- Individually boxed
- Steel thickness 1.2mm
- Maximiser plumbing kit included

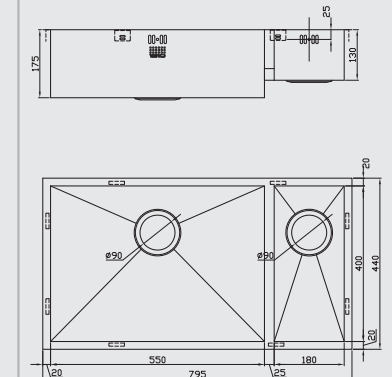


Zenduo 180/550U BBR



Zenduo 550/180U BBL

Shown with waste tidy, see page 209



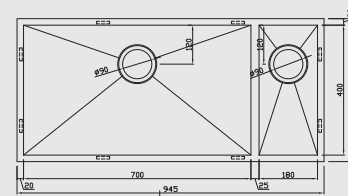


“A versatile double bowl that will fit into an 800mm unit”

## SINK Model ZENDUO 700/180U

1810 Code **ZD/7018/U/D/S/072**

- Undermounted handmade bowl includes clips for flush or inset installation
- Satin finish
- Insusound®
- 3½" basket strainer waste and overflow included
- Individually boxed
- Steel thickness 1.2mm
- Maximiser plumbing kit included



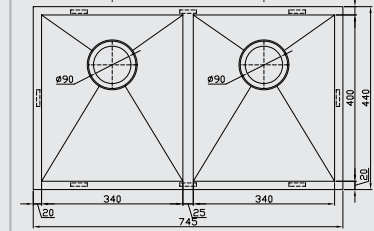
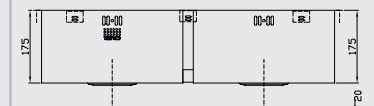
Shown with waste tidy, see page 209

Minimum cabinet size: 1000mm  
For accessories see pages 208, 209

## SINK Model ZENDUO 340/340U

1810 Code **ZD/3434/U/S/075**

- Undermounted handmade bowl includes clips for flush or inset installation
- Satin finish
- Insusound®
- 3½" basket strainer waste and overflow included
- Individually boxed
- Steel thickness 1.2mm
- Maximiser plumbing kit included



Shown with waste tidy, see page 209

Minimum cabinet size: 800mm  
For accessories see pages 208, 209



“Two good sized bowls,  
very practical”

### SINK Model ZENDUO 400/400U

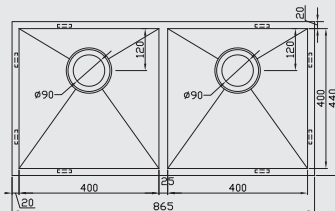
1810 Code ZD/4040/U/S/025

- Undermounted handmade bowl includes clips for flush or inset installation
- Satin finish
- Insusound®
- 3½" basket strainer waste and overflow included
- Individually boxed
- Steel thickness 1.2mm
- Maximiser plumbing kit included

Minimum cabinet size: 900mm  
For accessories see pages 208, 209



Shown with waste tidy, see page 209



“Similar to the ZD 400/400 but with an  
extra 79mm depth and a clever divider  
allowing 2 bowls to be used  
independently or have 1 big bowl”



### SINK Model ZENDUO 415/415U DEEP

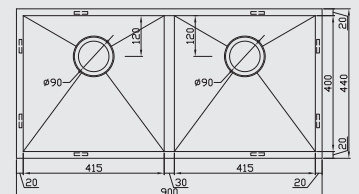
1810 Code ZD/4141/U/D/S/073

- Undermounted handmade bowl includes clips for flush or inset installation
- Satin finish
- Insusound®
- 3½" basket strainer waste and overflow included
- Individually boxed
- Steel thickness 1.2mm
- Maximiser plumbing kit included

Minimum cabinet size: 900mm  
For accessories see pages 208, 209



Shown with waste tidy, see page 209





“3 bowls, a practical sink when you don’t always want to use your dishwasher”

SINK Model **ZENTRIO 340/180/340U**

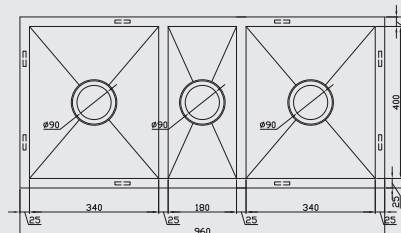
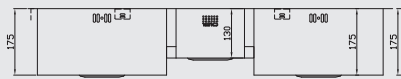
1810 Code **ZT/341834/U/S/115**

- Undermounted handmade bowl includes clips for flush or inset installation
- Satin finish
- Insusound®
- 3½” basket strainer waste and overflow included
- Individually boxed
- Steel thickness 1.2mm
- Maximiser plumbing kit included

Minimum cabinet size: 1000mm  
For accessories see pages 208, 209



Shown with waste tidy, see page 209



“With curves popular in kitchen design you can have the WOW factor with this sink”

SINK Model **ZENUNO 675U CURVE**

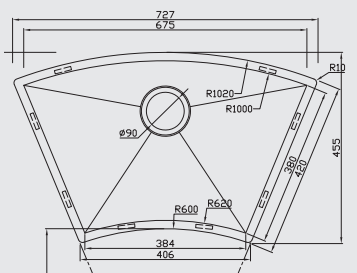
1810 Code **ZU/675/U/S/200**

- Undermounted handmade bowl includes clips for flush or inset installation
- Satin finish
- Insusound®
- 3½” basket strainer waste and overflow included
- Individually boxed
- Steel thickness 1.5mm
- Maximiser plumbing kit included

Minimum cabinet size: 800mm  
or corner base  
For accessories see pages 208, 209



Shown with waste tidy, see page 209








## The Zen15 Range

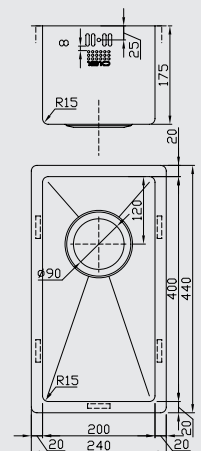
The Zen15 range features a contemporary linear design with a subtle 15mm internal radius.

SINK Model **ZENUNO15 200U**

1810 Code **ZU/20/U15/S/086**


- Undermounted 15mm radius handmade bowl includes clips for flush or inset installation
- Satin finish
- Insusound® 
- 3½" basket strainer waste and overflow included
- Individually boxed
- Steel thickness 1.2 mm
- Maximiser plumbing kit included

Minimum cabinet size: 300mm  
For accessories see pages 208, 209



Shown with waste tidy, see page 209

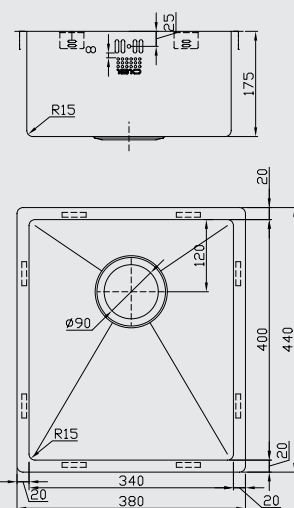
SINK Model **ZENUNO15 340U**1810 Code **ZU/34/U15/S/087**


- Undermounted 15mm radius handmade bowl includes clips for flush or inset installation
- Satin finish
- Insusound® 
- 3½" basket strainer waste and overflow included
- Individually boxed
- Steel thickness 1.2 mm
- Maximiser plumbing kit included

Minimum cabinet size: 400mm  
For accessories see pages 208, 209



Shown with waste tidy, see page 209

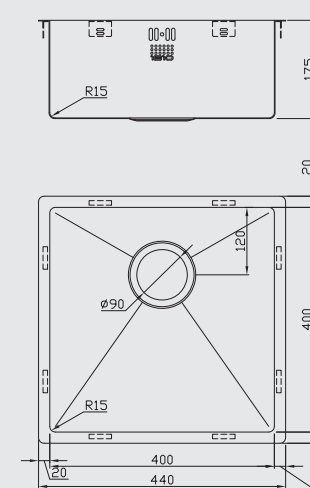
SINK Model **ZENUNO15 400U**1810 Code **ZU/40/U15/S/080**

- Undermounted 15mm radius handmade bowl includes clips for flush or inset installation
- Satin finish
- Insusound® 
- 3½" basket strainer waste and overflow included
- Individually boxed
- Steel thickness 1.2 mm
- Maximiser plumbing kit included

Minimum cabinet size: 450mm  
For accessories see pages 208, 209

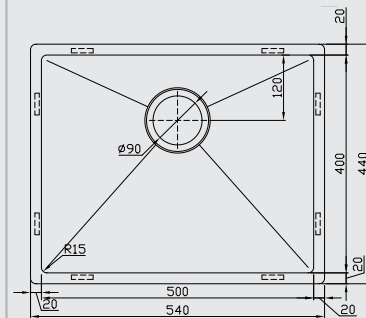
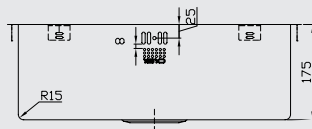


Shown with waste tidy, see page 209



SINK Model **ZENUNO15 500U**1810 Code **ZU/50/U15/S/088**SINK Model **ZENUNO15 500U OSW**1810 Code **ZU/50/U15/S/OSW/066**

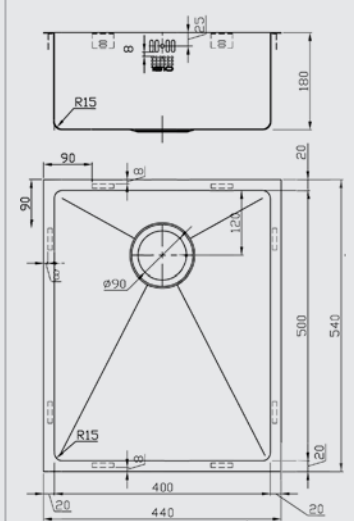
- Undermounted 15mm radius handmade bowl includes clips for flush or inset installation
- Satin finish
- Insusound®
- 3½" basket strainer waste and overflow included
- Individually boxed
- Steel thickness 1.2 mm
- Maximiser plumbing kit included



Shown with waste tidy, see page 209

Minimum cabinet size: 600mm  
For accessories see pages 208, 209


- Undermounted 15mm radius handmade bowl includes clips for flush or inset installation
- Satin finish
- Insusound®
- 3½" basket strainer waste and overflow included
- Individually boxed
- Steel thickness 1.2 mm
- Maximiser plumbing kit included



Shown with waste tidy, see page 209

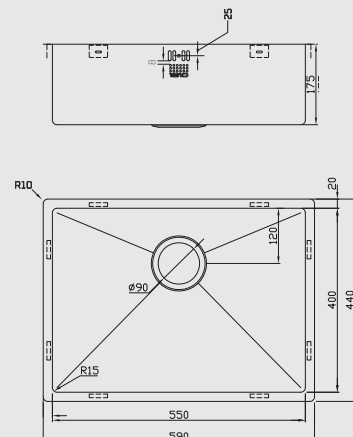
Minimum cabinet size: 600mm  
For accessories see pages 208, 209

SINK Model **ZENUNO15 550U**1810 Code **ZU/55/U15/S/081**SINK Model **ZENUNO15 550U DEEP**1810 Code **ZU/55/U15/D/S/078**


- Undermounted 15mm radius handmade bowl includes clips for flush or inset installation
- Satin finish
- Insusound® 
- 3/2" basket strainer waste and overflow included
- Individually boxed
- Steel thickness 1.2 mm
- Maximiser plumbing kit included



Shown with waste tidy, see page 209

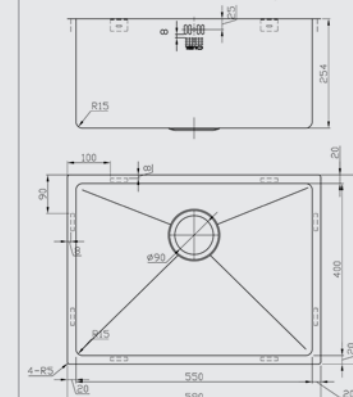


Minimum cabinet size: 600mm  
For accessories see pages 208, 209

- Undermounted 15mm radius handmade bowl includes clips for flush or inset installation
- Satin finish
- Insusound® 
- 3/2" basket strainer waste and overflow included
- Individually boxed
- Steel thickness 1.2 mm
- Maximiser plumbing kit included



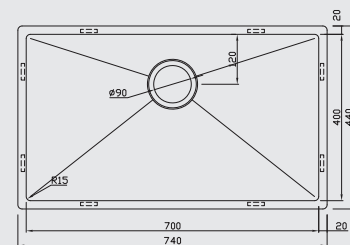
Shown with waste tidy, see page 209



Minimum cabinet size: 600mm  
For accessories see pages 208, 209


**SINK Model ZENUNO15 700U**
**1810 Code ZU/70/U15/S/083**
**SINK Model ZENUNO15 700U OSW**
**1810 Code ZU/70/U15/S/OSW/067**

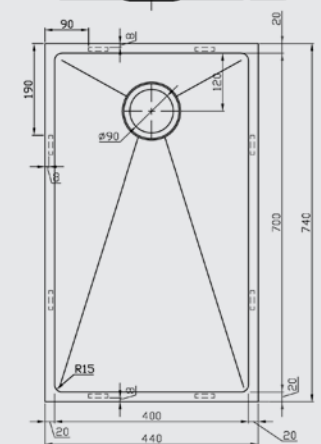
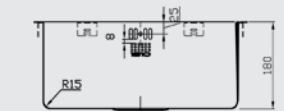
- Undermounted 15mm radius handmade bowl includes clips for flush or inset installation
- Satin finish
- Insusound®
- 3½" basket strainer waste and overflow included
- Individually boxed
- Steel thickness 1.2 mm
- Maximiser plumbing kit included



Shown with waste tidy, see page 209

Minimum cabinet size: 800mm  
For accessories see pages 208, 209

- Undermounted 15mm radius handmade bowl includes clips for flush or inset installation
- Satin finish
- Insusound®
- 3½" basket strainer waste and overflow included
- Individually boxed
- Steel thickness 1.2 mm
- Maximiser plumbing kit included



Shown with waste tidy, see page 209

Minimum cabinet size: 800mm  
For accessories see pages 208, 209



“A variant of our biggest seller with a gentle 15mm internal radius!”

Image shown  
ZENDUO15 340/180U BBL

SINK Model **ZENUNO15 700U DEEP**

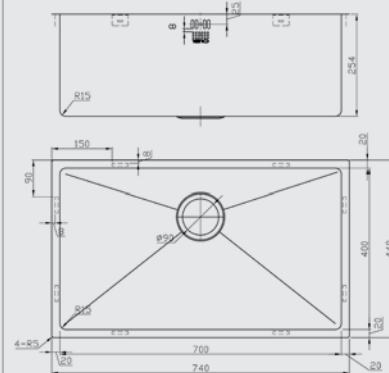
1810 Code **ZU/70/U15/D/S/077**

SINK Model **ZENDUO15 340/180U BBL** 1810 Code **ZD/3418/U15/S/BBL/085**  
SINK Model **ZENDUO15 180/340U BBR** 1810 Code **ZD/1834/U15/S/BBR/082**

- Undermounted 15mm radius handmade bowl includes clips for flush or inset installation
- Satin finish
- Insusound®
- 3½" basket strainer waste and overflow included
- Individually boxed
- Steel thickness 1.2 mm
- Maximiser plumbing kit included



Shown with waste tidy, see page 209



Minimum cabinet size: 800mm  
For accessories see pages 208, 209

- Undermounted 15mm radius handmade bowl includes clips for flush or inset installation
- Satin finish
- Insusound®
- 3½" basket strainer waste and overflow included
- Individually boxed
- Steel thickness 1.2 mm
- Maximiser plumbing kit included

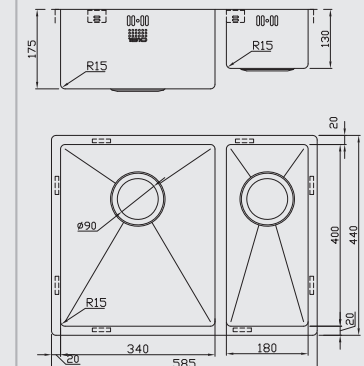


ZENDUO15 180/340U BBR



ZENDUO15 340/180U BBL

Shown with waste tidy, see page 209





ZEN COLANDER DRAINER GUNMETAL  
AC-ZEN-COL-GMZEN COLANDER DRAINER COPPER  
AC-ZEN-COL-COPZEN COLANDER DRAINER GOLD BRASS  
AC-ZEN-COL-GBImage shown  
ZENUNO15 400U - GUNMETAL

SINK Model **ZENUNO15 400U - COPPER**  
 SINK Model **ZENUNO15 400U - GUNMETAL**  
 SINK Model **ZENUNO15 400U - GOLD BRASS**

1810 Code **ZU/40/U15/COP/600**  
 1810 Code **ZU/40/U15/GM/601**  
 1810 Code **ZU/40/U15/GB/606**

- Undermounted 15mm radius handmade bowl
- Includes clips for flush or inset installation
- PVD coated in a copper, gunmetal or gold brass finish
- 3½" basket strainer waste and concealed overflow included
- Maximiser plumbing kit included
- Insusound®
- Steel thickness 1.2mm
- Individually boxed

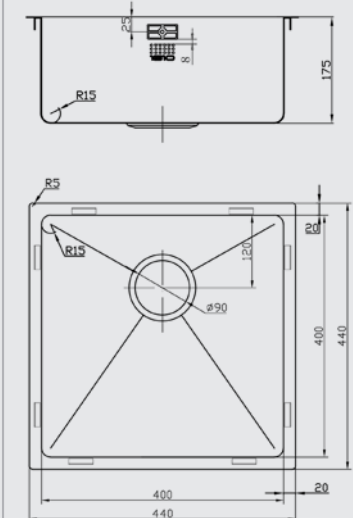
Minimum cabinet size: 450mm  
 For accessories see pages 208, 209



ZENUNO15 400U - COPPER



ZENUNO15 400U - GOLD BRASS



## The Zen15 PVD Range

A selection of handmade bowls  
 finished in a durable PVD coating.



ZEN COLANDER DRAINER GUNMETAL  
AC-ZEN-COL-GMZEN COLANDER DRAINER COPPER  
AC-ZEN-COL-COPZEN COLANDER DRAINER GOLD BRASS  
AC-ZEN-COL-GB

Image shown

ZENUNO15 500U - COPPER

“The latest trend, available  
throughout your kitchen design”

ZEN COLANDER DRAINER GUNMETAL  
AC-ZEN-COL-GMZEN COLANDER DRAINER COPPER  
AC-ZEN-COL-COPZEN COLANDER DRAINER GOLD BRASS  
AC-ZEN-COL-GB

Image shown

ZENUNO15 700U - GOLD BRASS

SINK Model **ZENUNO15 500U - COPPER**  
SINK Model **ZENUNO15 500U - GUNMETAL**  
SINK Model **ZENUNO15 500U - GOLD BRASS**

1810 Code **ZU/50/U15/COP/602**  
1810 Code **ZU/50/U15/GM/603**  
1810 Code **ZU/50/U15/GB/607**

SINK Model **ZENUNO15 700U - COPPER**  
SINK Model **ZENUNO15 700U - GUNMETAL**  
SINK Model **ZENUNO15 700U - GOLD BRASS**

1810 Code **ZU/70/U15/COP/604**  
1810 Code **ZU/70/U15/GM/605**  
1810 Code **ZU/70/U15/GB/608**

- Undermounted 15mm radius handmade bowl
- Includes clips for flush or inset installation
- PVD coated in a copper, gunmetal or gold brass finish
- 3½" basket strainer waste and concealed overflow included
- Maximiser plumbing kit included
- Insusound®
- Steel thickness 1.2mm
- Individually boxed

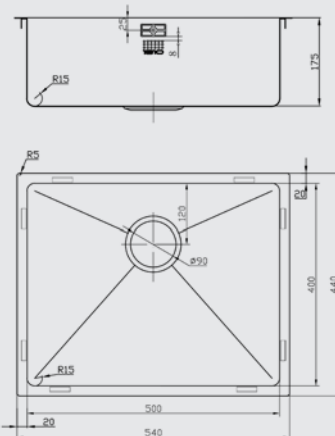
Minimum cabinet size: 600mm  
For accessories see pages 208, 209



ZENUNO15 500U - GUNMETAL



ZENUNO15 500U - GOLD BRASS



- Undermounted 15mm radius handmade bowl
- Includes clips for flush or inset installation
- PVD coated in a copper, gunmetal or gold brass finish
- 3½" basket strainer waste and concealed overflow included
- Maximiser plumbing kit included
- Insusound®
- Steel thickness 1.2mm
- Individually boxed

Minimum cabinet size: 800mm  
For accessories see pages 208, 209



ZENUNO15 700U - COPPER



ZENUNO15 700U - GUNMETAL

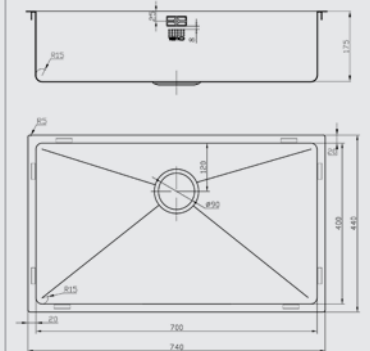





Image shown  
ZENDUO 310/180 I-F BBL

SINK Model **ZENDUO 310/180 I-F BBL**  
SINK Model **ZENDUO 180/310 I-F BBR**

1810 Code **ZD/3118/IF/S/BBL/006**  
1810 Code **ZD/1831/IF/S/BBR/005**

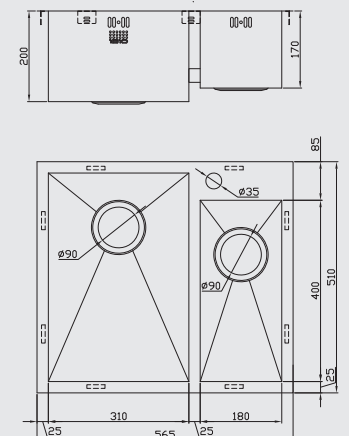
- Handmade inset bowl, can also be flushfit or undermounted
- Satin finish
- Insusound® 
- 3 1/2" basket strainer waste and overflow included
- Individually boxed
- Steel thickness 1.5mm
- Maximiser plumbing kit included



ZENDUO 180/310 I-F BBR



ZENDUO 310/180 I-F BBL  
Shown with waste tidy, see page 209



## The Zen I-F Range

The I-F range are handmade insets with a slim 1.5mm profile for a flush look.

Minimum cabinet size: 600mm  
For accessories see pages 208, 209



“Good size deep bowl with 2 drainers,  
what more can you say!”



Image shown  
ZENUNO 5I-F BBL

SINK Model **ZENUNO 45 I-F DEEP**

1810 Code **ZU/45/IF/D/S/045**

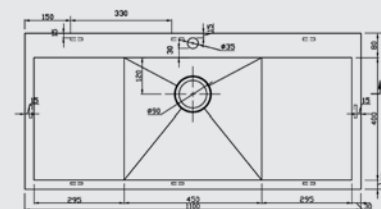
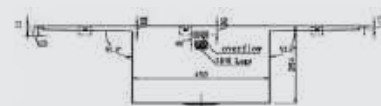
SINK Model **ZENUNO 5 I-F BBL**  
SINK Model **ZENUNO 5 I-F BBR**

1810 Code **ZU/5/IF/S/BBL/039**  
1810 Code **ZU/5/IF/S/BBR/026**

- Handmade inset bowl, can also be flushfit or undermounted
- Satin finish
- Insusound®
- 3½" basket strainer waste and overflow included
- Individually boxed
- Steel thickness 1.5mm
- Maximiser plumbing kit included



Shown with waste tidy, see page 209



Minimum cabinet size: 500mm  
For accessories see pages 208, 209

- Handmade inset bowl, can also be flushfit or undermounted
- Satin finish
- Insusound®
- 3½" basket strainer waste and overflow included
- Individually boxed
- Steel thickness 1.5mm
- Maximiser plumbing kit included

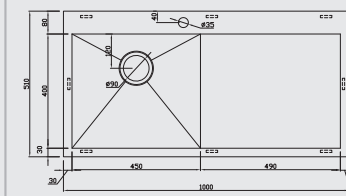
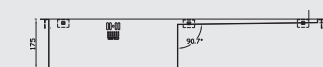


Zenuno 5 I-F BBR



Zenuno 5 I-F BBL

Shown with waste tidy, see page 209



Minimum cabinet size: 500mm  
For accessories see pages 208, 209



“Generously proportioned deep bowl and drainer, swallows up the biggest pans!”

Image shown  
ZENDUO 70-I-F BBL



“A traditional inset sink handmade for a contemporary look”

Image shown  
ZENDUO 6-I-F BBL

SINK Model **ZENUNO 70 I-F DEEP BBL** 1810 Code **ZU/70/IF/D/S/BBL/040**  
SINK Model **ZENUNO 70 I-F DEEP BBR** 1810 Code **ZU/70/IF/D/S/BBR/041**

SINK Model **ZENDUO 6 I-F BBL** 1810 Code **ZD/6/IF/S/BBL/038**  
SINK Model **ZENDUO 6 I-F BBR** 1810 Code **ZD/6/IF/S/BBR/027**

- Handmade inset bowl, can also be flushfit or undermounted
- Satin finish
- Insusound®
- 3½" basket strainer waste and overflow included
- Individually boxed
- Steel thickness 1.5mm
- Maximiser plumbing kit included

Minimum cabinet size: 800mm  
For accessories see pages 208, 209

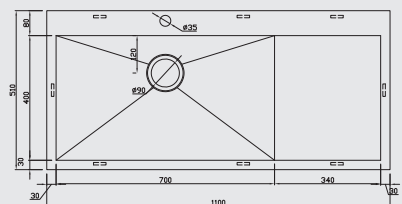


Zenuno 70 I-F BBR



Zenuno 70 I-F BBL

Shown with waste tidy, see page 209



- Handmade inset bowl, can also be flushfit or undermounted
- Satin finish
- Insusound®
- 3½" basket strainer waste and overflow included
- Individually boxed
- Steel thickness 1.5mm
- Maximiser plumbing kit included

Minimum cabinet size: 600mm  
For accessories see pages 208, 209

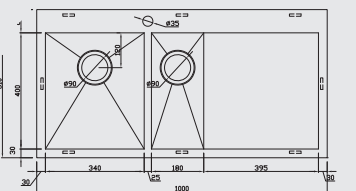
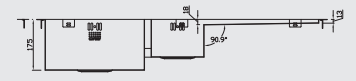


Zendo 6 I-F BBR



Zendo 6 I-F BBL

Shown with waste tidy, see page 209






## The Zen15 I-F Range

The Zen15 I-F range are handmade insets with a 15mm internal radius.

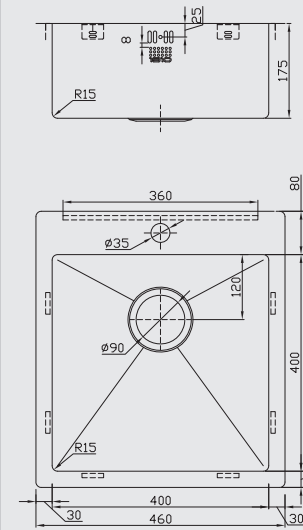


SINK Model **ZENUNO15 400 I-F**

1810 Code **ZU/40/IF/U15/S/089**

- Handmade 15mm radius inset bowl, can also be flushfit or undermounted
- Satin finish
- Insusound® 
- 3½" basket strainer waste and overflow included
- Individually boxed
- Steel thickness 1.5mm
- Maximiser plumbing kit included

Minimum cabinet size: 450mm  
For accessories see pages 208, 209



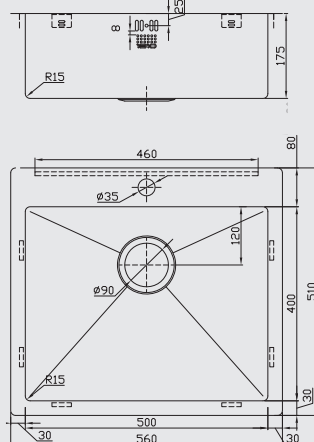
Shown with waste tidy, see page 209


**SINK Model ZENUNO15 500 I-F**
**1810 Code ZU/50/IF/U15/S/090**

- Handmade 15mm radius inset bowl, can also be flushfit or undermounted
- Satin finish
- Insusound®
- 3½" basket strainer waste and overflow included
- Individually boxed
- Steel thickness 1.5mm
- Maximiser plumbing kit included



Shown with waste tidy, see page 209



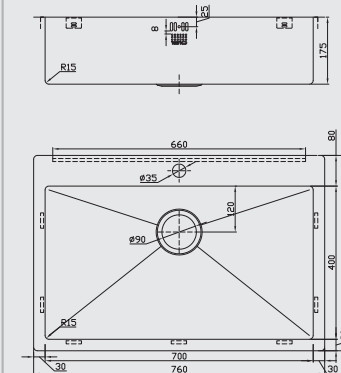
Minimum cabinet size: 600mm  
For accessories see pages 208, 209

**SINK Model ZENUNO15 700 I-F**
**1810 Code ZU/70/IF/U15/S/099**

- Handmade 15mm radius inset bowl, can also be flushfit or undermounted
- Satin finish
- Insusound®
- 3½" basket strainer waste and overflow included
- Individually boxed
- Steel thickness 1.5mm
- Maximiser plumbing kit included



Shown with waste tidy, see page 209



Minimum cabinet size: 800mm  
For accessories see pages 208, 209



Image shown  
ZENUNO15 5 I-F BBL



Image shown  
ZENUNO15 55 I-F BBL

SINK Model **ZENUNO15 5 I-F BBL**  
SINK Model **ZENUNO15 5 I-F BBR**

1810 Code **ZU/5/IF/U15/S/BBL/153**  
1810 Code **ZU/5/IF/U15/S/BBR/152**

SINK Model **ZENUNO15 55 I-F BBL**  
SINK Model **ZENUNO15 55 I-F BBR**

1810 Code **ZU/55/IF/U15/S/BBL/156**  
1810 Code **ZU/55/IF/U15/S/BBR/157**

- Handmade 15mm radius inset bowl, can also be flushfit or undermounted
- Satin finish
- Insusound®
- 3½" basket strainer waste and overflow included
- Individually boxed
- Steel thickness 1.5mm
- Maximiser plumbing kit included

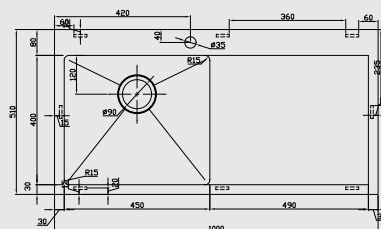
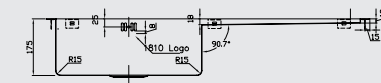


Zenuno15 5 I-F BBR



Zenuno15 5 I-F BBL

Shown with waste tidy, see page 209



Minimum cabinet size: 500mm  
For accessories see pages 208, 209

- Handmade 15mm radius inset bowl, can also be flushfit or undermounted
- Satin finish
- Insusound®
- 3½" basket strainer waste and overflow included
- Individually boxed
- Steel thickness 1.5mm
- Maximiser plumbing kit included

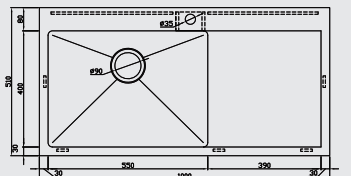
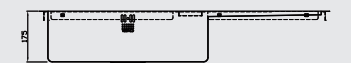


Zenuno15 55 I-F BBR



Zenuno15 55 I-F BBL

Shown with waste tidy, see page 209



Minimum cabinet size: 600mm  
For accessories see pages 208, 209



“A popular 1.5 bowl inset with a 15mm internal radius”

Image shown  
ZENDUO15 6 I-F BBL



Image shown  
ZENDUO15 34/34 I-F BBL

SINK Model **ZENDUO15 6 I-F BBL**  
SINK Model **ZENDUO15 6 I-F BBR**

1810 Code **ZD/6/IF/U15/S/BBL/155**  
1810 Code **ZD/6/IF/U15/S/BBR/154**

SINK Model **ZENDUO15 34/34 I-F BBL**  
SINK Model **ZENDUO15 34/34 I-F BBR**

1810 Code **ZD/3434/IF/U15/S/BBL/158**  
1810 Code **ZD/3434/IF/U15/S/BBR/159**

- Handmade 15mm radius inset bowl, can also be flushfit or undermounted
- Satin finish
- Insusound®
- 3½" basket strainer waste and overflow included
- Individually boxed
- Steel thickness 1.5mm
- Maximiser plumbing kit included

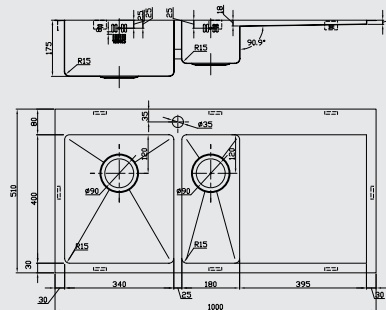


Zenduo15 6 I-F BBL



Zenduo15 6 I-F BBL

Shown with waste tidy, see page 209



Minimum cabinet size: 600mm  
For accessories see pages 208, 209

- Handmade 15mm radius inset bowl, can also be flushfit or undermounted
- Satin finish
- Insusound®
- 3½" basket strainer waste and overflow included
- Individually boxed
- Steel thickness 1.5mm
- Maximiser plumbing kit included

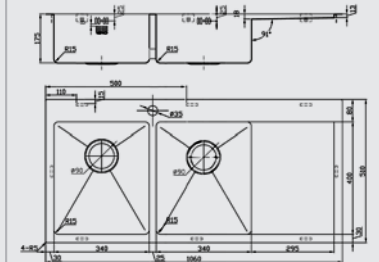


Zenduo15 34/34 I-F BBL



Zenduo15 34/34 I-F BBL

Shown with waste tidy, see page 209








## The ZEN15 XXL Range

The Zen15 XXL range are extra large handmade sinks with a 15mm internal radius.

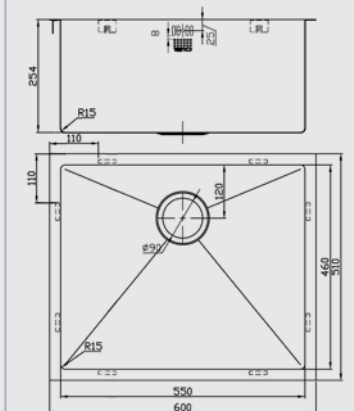


SINK Model **ZENUNO15 550U XXL DEEP**

1810 Code **ZU/55/U15/D/S/XXL/501**

- Undermounted 15mm radius handmade bowl
- Includes clips for flush or inset installation
- Satin finish
- Insusound® 
- 3 1/2" basket strainer waste and overflow included
- Individually boxed
- Steel thickness 1.2 mm
- Maximiser plumbing kit included

Minimum cabinet size: 600mm  
For accessories see pages 208, 209



Shown with waste tidy, see page 209

Check worktop size before ordering, sink does not fit in a standard 600mm worktop



Image shown  
ZENDUO15 550/340U XXL DEEP BBL

SINK Model **ZENUNO15 750U XXL DEEP**

1810 Code **ZU/75/U15/D/S/XXL/502**

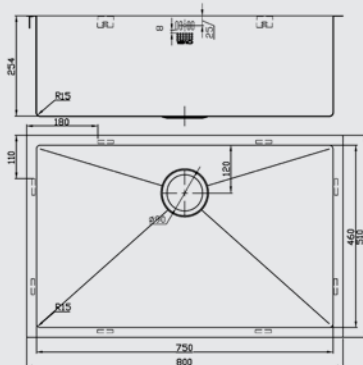
SINK Model **ZENDUO15 550/340U XXL DEEP BBL**

1810 Code **ZD/5534/U15/D/S/XXL/503**

SINK Model **ZENDUO15 340/550U XXL DEEP BBR**

1810 Code **ZD/3455/U15/D/S/XXL/504**

- Undermounted 15mm radius handmade bowl
- Includes clips for flush or inset installation
- Satin finish
- Insusound®
- 3/2" basket strainer waste and overflow included
- Individually boxed
- Steel thickness 1.2 mm
- Maximiser plumbing kit included



Shown with waste tidy, see page 209

Check worktop size before ordering, sink does not fit in a standard 600mm worktop

- Undermounted 15mm radius handmade bowl
- Includes clips for flush or inset installation
- Satin finish
- Insusound®
- 3/2" basket strainer waste and overflow included
- Individually boxed
- Steel thickness 1.2 mm
- Maximiser plumbing kit included

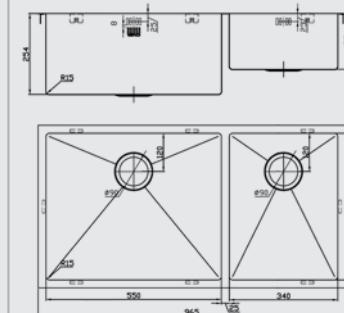


Zenduo15 340/550U XXL DEEP BBR



Zenduo15 550/340U XXL DEEP BBL

Shown with waste tidy, see page 209



Check worktop size before ordering, sink does not fit in a standard 600mm worktop



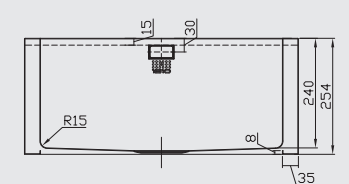
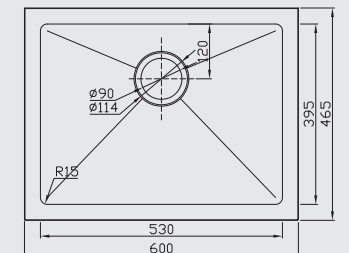
## The ZEN15 Belfast Range

A contemporary option to a traditional Belfast sink which looks perfect in both traditional and modern kitchen designs.

SINK Model **ZENUNO15 600U BELFAST**

1810 Code **ZU/600/15/BEL/S/860**

- Satin finish
- 3½" basket strainer waste and overflow included
- Individually boxed
- Steel thickness 1.2 mm
- Maximiser plumbing kit included





## The ZEN10 Options Range

A range of contemporary undermount sinks with a choice of versatile accessories to turn your sink into a multi-purpose workstation.

Because the kitchen is the heart of the home

- Prepare
- Cook
- Serve
- Entertain
- Clean





Please follow installation instructions provided to ensure compatibility of accessories



Please follow installation instructions provided to ensure compatibility of accessories

## SINK Model ZENUNO10 400 OPTIONS

1810 Code ZUO/40/U10/S/180

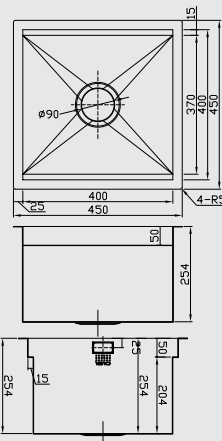
- 10mm radius handmade undermount bowl
- Can also be flush mount and inset
- Satin finish
- 3½" BSW and concealed overflow included
- Maximiser plumbing kit included
- Individually boxed
- Steel thickness 1.2mm
- Additional accessories can be purchased separately. See pages 91- 92

We recommend leaving a reveal of 420mm to ensure maximum stability of the accessory. If the sink is installed without a reveal the accessory will sit on the worksurface.

**Minimum cabinet size: 500mm**  
Includes 1 x Band B accessory



Shown with waste tidy, see page 209



Non-slip rubber spacers are provided to enable all accessories to be used on both upper and lower tier.

## SINK Model ZENUNO10 800 OPTIONS

1810 Code ZUO/80/U10/S/181

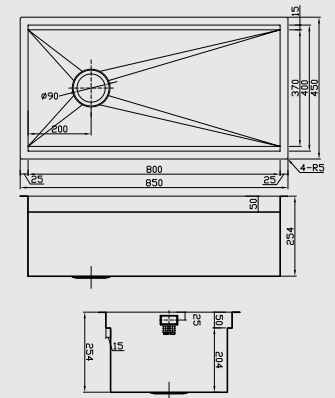
- 10mm radius handmade undermount bowl
- Can also be flush mount and inset
- Satin finish
- 3½" BSW and concealed overflow included
- Maximiser plumbing kit included
- Individually boxed
- Steel thickness 1.2mm
- Additional accessories can be purchased separately. See pages 91- 92

We recommend leaving a reveal of 420mm to ensure maximum stability of the accessory. If the sink is installed without a reveal the accessory will sit on the worksurface.

**Minimum cabinet size: 900mm**  
Includes 1 x Band B accessory



Shown with waste tidy, see page 209



Non-slip rubber spacers are provided to enable all accessories to be used on both upper and lower tier.



Please follow installation instructions provided to ensure compatibility of accessories



Please follow installation instructions provided to ensure compatibility of accessories

## SINK Model ZENDUO10 1100 OPTIONS

1810 Code ZDO/1100/U10/S/REV/182

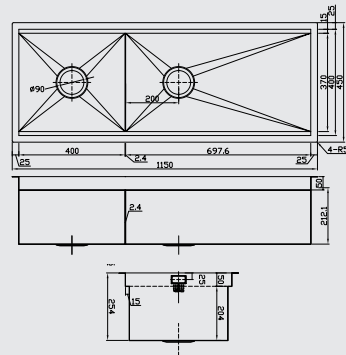
- 10mm radius handmade undermount bowl
- Can also be flush mount and inset
- Satin finish
- 3½" BSW and concealed overflow included
- Maximiser plumbing kit included
- Individually boxed
- Steel thickness 1.2mm
- Additional accessories can be purchased separately. See pages 91- 92

We recommend leaving a reveal of 420mm to ensure maximum stability of the accessory. If the sink is installed without a reveal the accessory will sit on the worksurface.

**Minimum cabinet size: 1200mm**  
Includes 1 x Band A and 1 x Band B accessory



Shown with waste tidy, see page 209



Non-slip rubber spacers are provided to enable all accessories to be used on both upper and lower tier.

## SINK Model ZENUNO10 700 OPTIONS

1810 Code ZUO/700/U10/S/REV/183

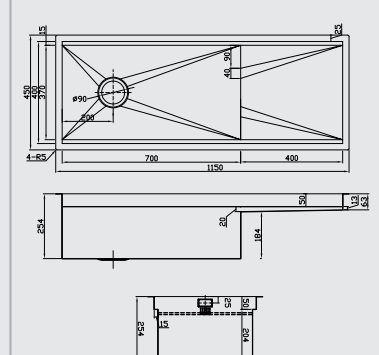
- 10mm radius handmade undermount bowl
- Can also be flush mount and inset
- Satin finish
- 3½" BSW and concealed overflow included
- Maximiser plumbing kit included
- Individually boxed
- Steel thickness 1.2mm
- Additional accessories can be purchased separately. See pages 91- 92

We recommend leaving a reveal of 420mm to ensure maximum stability of the accessory. If the sink is installed without a reveal the accessory will sit on the worksurface.

**Minimum cabinet size: 800mm**  
Includes 1 x Band A and 1 x Band B accessory



Shown with waste tidy, see page 209



Non-slip rubber spacers are provided to enable all accessories to be used on both upper and lower tier.



## SINK Model ZEN10 OPTIONS ACCESSORIES – BAND A

## Band A -

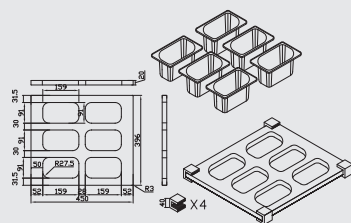
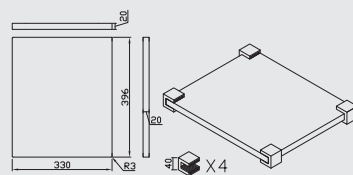
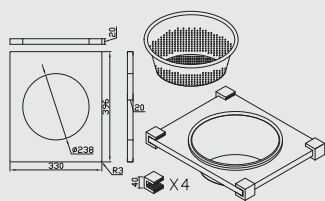
Colander holder including  
colander and bowl  
**AC-ZENOPT-COL**

Chopping board  
**AC-ZENOPT-CB**

Large garnish board  
including 6 pots  
**AC-ZENOPT-GB-LG**

The natural bamboo accessories have  
been treated with wood wax and are  
therefore suitable for kitchen use.

Non-slip rubber spacers are provided  
to enable all accessories to be used  
on both upper and lower tier.



## SINK Model ZEN10 OPTIONS ACCESSORIES – BAND B

## Band B -

Small garnish board including 3 pots  
**AC-ZENOPT-GB-MD**

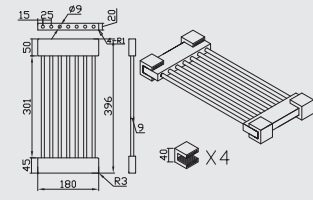
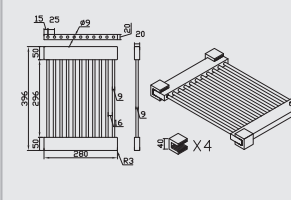
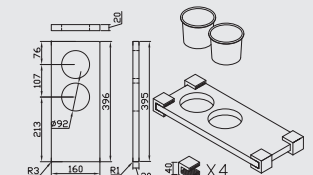
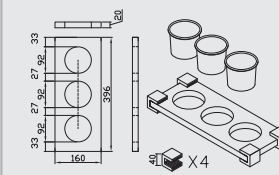
Small garnish board including 2 pots  
**AC-ZENOPT-GB-SM**

Drainer with bars 280mm  
**AC-ZENOPT-DR-LG**

Drainer with bars 180mm  
**AC-ZENOPT-DR-SM**

The natural bamboo accessories have  
been treated with wood wax and are  
therefore suitable for kitchen use.

Non-slip rubber spacers are provided  
to enable all accessories to be used  
on both upper and lower tier.





Tap suitable for accessible kitchens available – see page 170



## The Accessible Range

A sink and tap combination suitable for use in accessible kitchens.

SINK Model **ZENUNO15 34 I-F ACCESSIBLE BBL/BBR**

1810 Code **ZU/34/IF/U15/S/BBL/160**

1810 Code **ZU/34/IF/U15/S/BBR/161**

- Shallower bowl to allow access
- Inset bowl which can be flushfit or undermounted
- Additional insulation on bottom of bowl to prevent heat transfer
- Alternative sink and drainer sizes and bowl depth are available through our Bespoke service
- 3½" BSW and concealed overflow included
- Maximiser plumbing kit included
- Individually boxed
- Steel thickness 1.2mm

Minimum cabinet size: 450mm  
For accessories see pages 208, 209



Zenuno15 34 I-F Accessible BBR



Zenuno15 34 I-F Accessible BBL

Shown with waste tidy, see page 209



NEW

Accessible handle available in all colour options  
[FIN/01/CH/HANDLE](#), [FIN/02/BS/HANDLE](#),  
[FIN/04/COP/HANDLE](#), [FIN/05/GM/HANDLE](#),  
[FIN/06/GB/HANDLE](#)

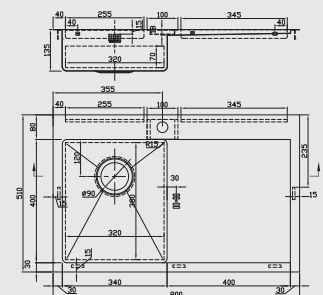






Image shown  
ACCESSORY TROUGH 900 - COPPER

Accessories available in stainless steel, copper, gunmetal and gold brass

**TROUGH Model**  
**ACCESSORY TROUGH 900**

1810 Code **AC-CHAN/900/S/201** 1810 Code **AC-CHAN/900/GM/205**  
1810 Code **AC-CHAN/900/COP/203** 1810 Code **AC-CHAN/900/GB/207**

- Handmade undermount trough
- Can also be flushfit or inset
- Steel thickness 1.2mm
- Can be plumbed in (waste kit included)
- Accommodates 3 x accessories
- L 940mm W 200mm H 200mm

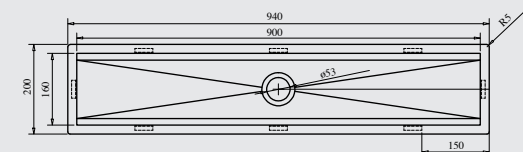
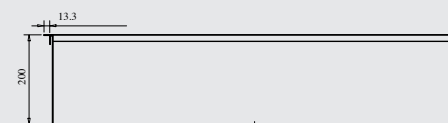
For accessories see page 98

Stainless Steel

Copper

Gunmetal

Gold Brass



## The Accessory Trough Range

A versatile 1810 trough is the perfect addition to any new kitchen whether you are a regular party host or require the individuality of the accessories available.



Image shown  
**ACCESSORY TROUGH 1200 - GUNMETAL**

Accessories available in stainless steel, copper, gunmetal and gold brass



**AC-CHAN-PACK 1 - STAINLESS STEEL**  
Glass Drainer  
Colander  
Dish Rack



**AC-CHAN-PACK2 - STAINLESS STEEL**  
Chopping Board Holder  
Chopping Boards X 3

**AC-CHAN-PACK3**  
Knife Block  
(Knives not included)

**TROUGH Model**  
**ACCESSORY TROUGH 1200**

1810 Code **AC-CHAN/1200/S/202** 1810 Code **AC-CHAN/1200/GM/206**  
1810 Code **AC-CHAN/1200/COP/204** 1810 Code **AC-CHAN/1200/GB/208**

**ACCESSORIES**

1810 Code **AC-CHAN-PACK 1 / 2 / 3**

- Handmade undermount trough
- Can also be flushfit or inset
- Steel thickness 1.2mm
- Can be plumbed in (waste kit included)
- Accommodates 4 x accessories
- L 1240 mm W200mm H 200mm

Stainless Steel



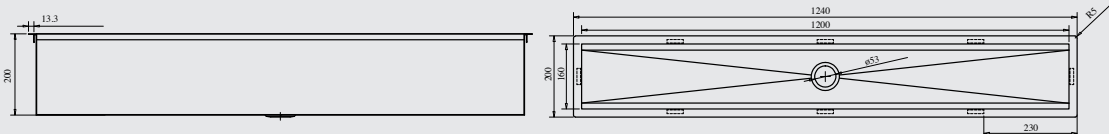
Copper



Gunmetal



Gold Brass



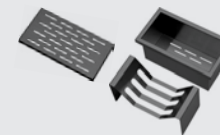
**AC-CHAN-PACK 1 - COPPER**

Glass Drainer  
Colander  
Dish Rack



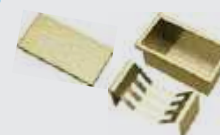
**AC-CHAN-PACK 1 - GUNMETAL**

Glass Drainer  
Colander  
Dish Rack



**AC-CHAN-PACK 1 - GOLD BRASS**

Glass Drainer  
Colander  
Dish Rack



■ Manufactured from 1.2mm thick stainless steel

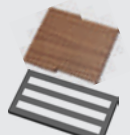
**AC-CHAN-PACK 2-COPPER**

Chopping Board Holder  
Sapele Chopping Boards x 3



**AC-CHAN-PACK 2-GUNMETAL**

Chopping Board Holder  
Sapele Chopping Boards x 3



**AC-CHAN-PACK 2-GOLD BRASS**

Chopping Board Holder  
Sapele Chopping Boards x 3




■ Board holder manufactured from 1.2mm thick stainless steel  
■ Sapele wood chopping boards

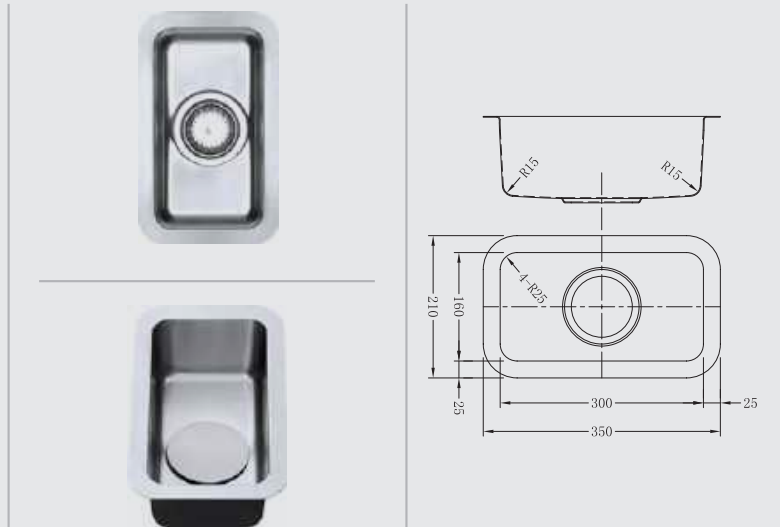


SINK Model **LUXSOPLUSUNO25 160U**

1810 Code **LPU/16/U25/S/350**

- Undermount bowl
- Satin finish
- Insusound® 
- 3½" basket strainer waste included
- Maximiser plumbing kit included
- Individually boxed
- Steel thickness 1.2mm
- Cut out template

Minimum cabinet size: 300mm  
For accessories see pages 208, 209



Shown with waste tidy, see page 209

The **Luxsoplus** Range  
The Luxsoplus Range is a contemporary design with 25mm radius corners.

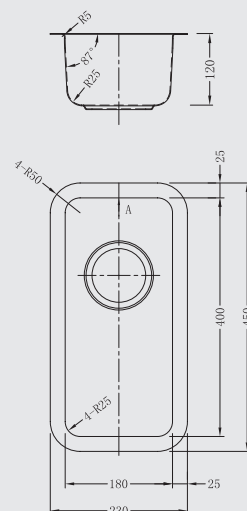
SINK Model **LUXSOPLUSUNO25 180U**1810 Code **LPU/18/U25/S/351**

- Undermount bowl
- Satin finish
- Insusound®
- 3½" basket strainer waste and concealed overflow included
- Maximiser plumbing kit included
- Individually boxed
- Steel thickness 1.2mm
- Cut out template

Minimum cabinet size: 300mm  
For accessories see pages 208, 209



Shown with waste tidy, see page 209

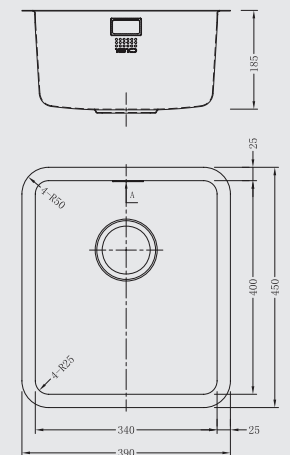
SINK Model **LUXSOPLUSUNO25 340U**1810 Code **LPU/34/U25/S/352**

- Undermount bowl
- Satin finish
- Insusound®
- 3½" basket strainer waste and concealed overflow included
- Maximiser plumbing kit included
- Individually boxed
- Steel thickness 1.2mm
- Cut out template

Minimum cabinet size: 400mm  
For accessories see pages 208, 209



Shown with waste tidy, see page 209



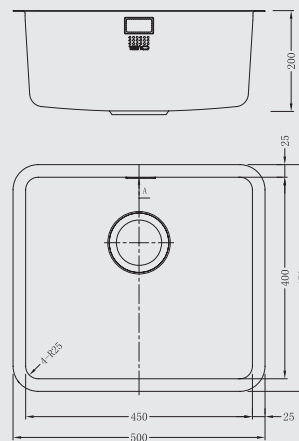
SINK Model **LUXSOPLUSUNO25 450U**1810 Code **LPU/45/U25/S/353**SINK Model **LUXSOPLUSUNO25 500U**1810 Code **LPU/50/U25/S/354**

- Undermount bowl
- Satin finish
- Insusound®
- 3½" basket strainer waste and concealed overflow included
- Maximiser plumbing kit included
- Individually boxed
- Steel thickness 1.2mm
- Cut out template

Minimum cabinet size: 500mm  
For accessories see pages 208, 209



Shown with waste tidy, see page 209

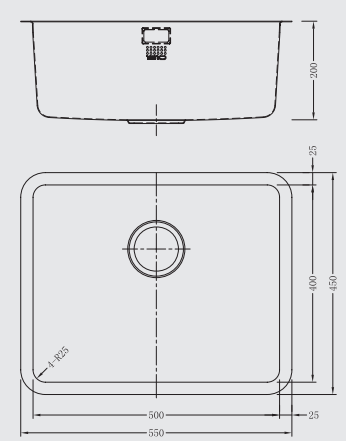


- Undermount bowl
- Satin finish
- Insusound®
- 3½" basket strainer waste and concealed overflow included
- Maximiser plumbing kit included
- Individually boxed
- Steel thickness 1.2mm
- Cut out template

Minimum cabinet size: 600mm  
For accessories see pages 208, 209



Shown with waste tidy, see page 209





“A cost effective alternative to a zen”

Image shown  
LUXOPLUSDUO25 340/160 BBL

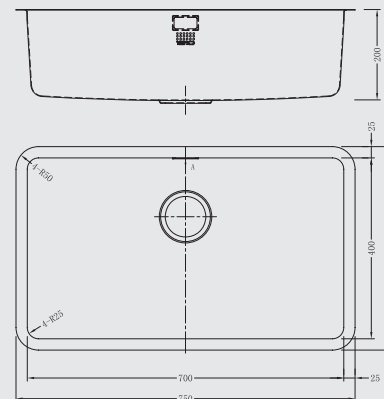
SINK Model **LUXOPLUSUNO25 700U**

1810 Code **LPU/70/U25/S/355**

SINK Model **LUXOPLUSDUO25 340/160U BBL**  
SINK Model **LUXOPLUSDUO25 160/340U BBR**

1810 Code **LPD/3416/U25/S/BBL/357**  
1810 Code **LPD/1634/U25/S/BBR/356**

- Undermount bowl
- Satin finish
- Insusound®
- 3½" basket strainer waste and concealed overflow included
- Maximiser plumbing kit included
- Individually boxed
- Steel thickness 1.2mm
- Cut out template



Shown with waste tidy, see page 209

Minimum cabinet size: 800mm  
For accessories see pages 208, 209

- Undermount bowl
- Satin finish
- Insusound®
- 3½" basket strainer waste and concealed overflow included
- Maximiser plumbing kit included
- Individually boxed
- Steel thickness 1.2mm
- Cut out template

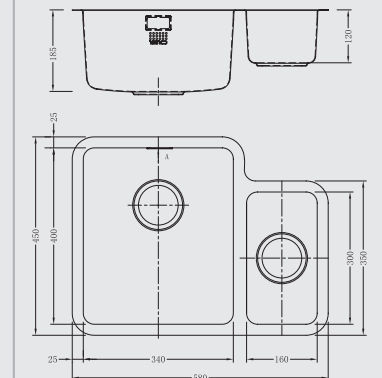


LUXOPLUSDUO25 160/340 BBR



LUXOPLUSDUO25 340/160 BBL

Shown with waste tidy, see page 209



Minimum cabinet size: 600mm  
For accessories see pages 208, 209



Image shown  
LUXSOPLUSDUO25 340/180U BBL



Image shown  
LUXSOPLUSDUO25 500/180U BBL

SINK Model **LUXSOPLUSDUO25 340/180U BBL**  
SINK Model **LUXSOPLUSDUO25 180/340U BBR**

1810 Code **LPD/3418/U25/S/BBL/359**  
1810 Code **LPD/1834/U25/S/BBR/358**

SINK Model **LUXSOPLUSDUO25 500/180U BBL**  
SINK Model **LUXSOPLUSDUO25 180/500U BBR**

1810 Code **LPD/5018/U25/S/BBL/361**  
1810 Code **LPD/1850/U25/S/BBR/360**

- Undermount bowl
- Satin finish
- Insusound®
- 3½" basket strainer waste and concealed overflow included
- Maximiser plumbing kit included
- Individually boxed
- Steel thickness 1.2mm
- Cut out template

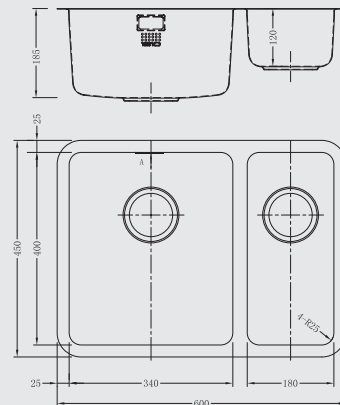


LUXSOPLUSDUO25 180/340U BBR



LUXSOPLUSDUO25 340/180U BBL

Shown with waste tidy, see page 209



Minimum cabinet size: 600mm  
For accessories see pages 208, 209

- Undermount bowl
- Satin finish
- Insusound®
- 3½" basket strainer waste and concealed overflow included
- Maximiser plumbing kit included
- Individually boxed
- Steel thickness 1.2mm
- Cut out template

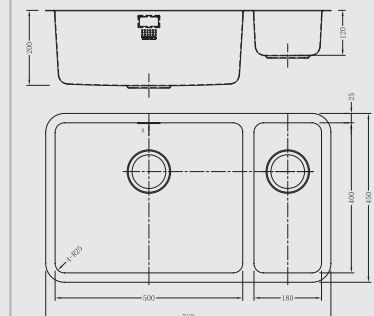


LUXSOPLUSDUO25 180/500U BBR



LUXSOPLUSDUO25 500/180U BBL

Shown with waste tidy, see page 209



Minimum cabinet size: 800mm  
For accessories see pages 208, 209



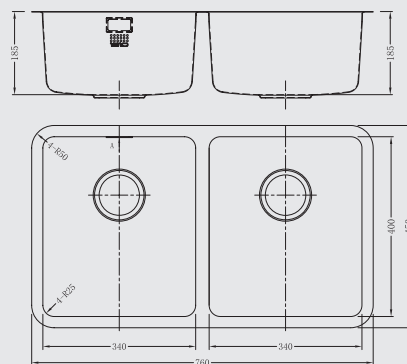
SINK Model **LUXSOPLUSDUO25 340/340U**

1810 Code **LPD/3434/U25/S/362**

SINK Model **LUXSOPLUSDUO25 450/450U**

1810 Code **LPD/4545/U25/S/363**

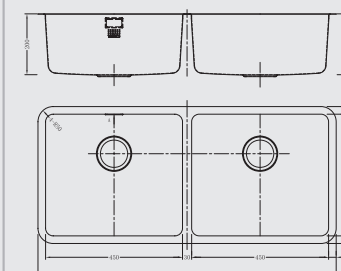
- Undermount bowl
- Satin finish
- Insusound®
- 3/2" basket strainer waste and concealed overflow included
- Maximiser plumbing kit included
- Individually boxed
- Steel thickness 1.2mm
- Cut out template



Minimum cabinet size: 800mm  
For accessories see pages 208, 209

Shown with waste tidy, see page 209

- Undermount bowl
- Satin finish
- Insusound®
- 3/2" basket strainer waste and concealed overflow included
- Maximiser plumbing kit included
- Individually boxed
- Steel thickness 1.2mm
- Cut out template



Minimum cabinet size: 1000mm  
For accessories see pages 208, 209

Shown with waste tidy, see page 209



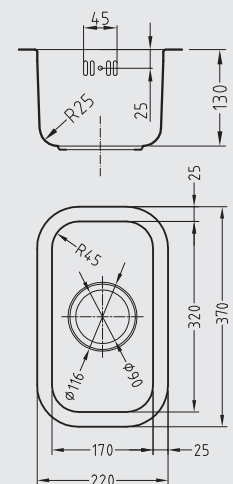


SINK Model **ETROUNO 170U**

1810 Code **EU/17/U/MS/034**

- Undermount bowl
- Satin finish
- Insusound®
- 3 1/2" basket strainer waste and overflow included
- Individually boxed
- Steel thickness 1.2mm
- Maximiser plumbing kit included

Minimum cabinet size: 300mm  
For accessories see pages 208, 209



Shown with waste tidy, see page 209

The **Etro** Range

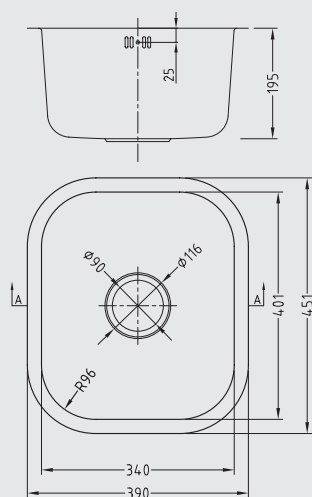
The Etro Range has a curved classic design.



SINK Model **ETROUNO 340U**

1810 Code **EU/34/U/MS/035**

- Undermount bowl
- Satin finish
- Insusound®
- 3 1/2" basket strainer waste and overflow included
- Individually boxed
- Steel thickness 1.2mm
- Maximiser plumbing kit included



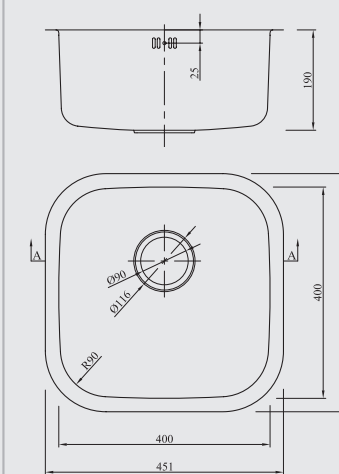
Shown with waste tidy, see page 209

Minimum cabinet size: 400mm  
For accessories see pages 208, 209

SINK Model **ETROUNO 400U**

1810 Code **EU/40/U/MS/036**

- Undermount bowl
- Satin finish
- Insusound®
- 3 1/2" basket strainer waste and overflow included
- Individually boxed
- Steel thickness 1.2mm
- Maximiser plumbing kit included



Shown with waste tidy, see page 209

Minimum cabinet size: 450mm  
For accessories see pages 208, 209



“The biggest seller, classic design”

Image shown  
ETRODUO 589/450 BBL

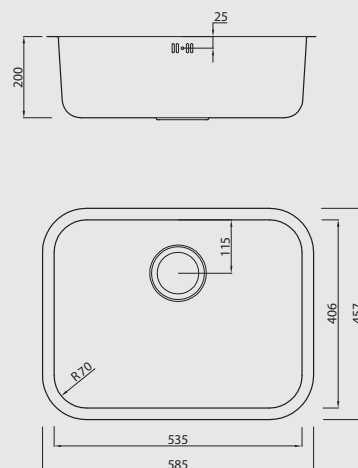
SINK Model **ETROUNO 550U**

1810 Code **EU/55/U/MS/037**

SINK Model **ETRODUO 589/450U**  
options — **REV / BBL / BBR**

1810 Code **ED/5845/U/MS/**  
**REV/031 / BBL/032 / BBR/033**

- Undermount bowl
- Satin finish
- Insusound®
- 3½” basket strainer waste and overflow included
- Individually boxed
- Steel thickness 1.2mm
- Maximiser plumbing kit included



Shown with waste tidy, see page 209

Minimum cabinet size: 600mm  
For accessories see pages 208, 209

- Undermount bowl
- Satin finish
- Insusound®
- 3½” basket strainer waste and overflow included
- Individually boxed
- Steel thickness 1.2mm
- Maximiser plumbing kit included



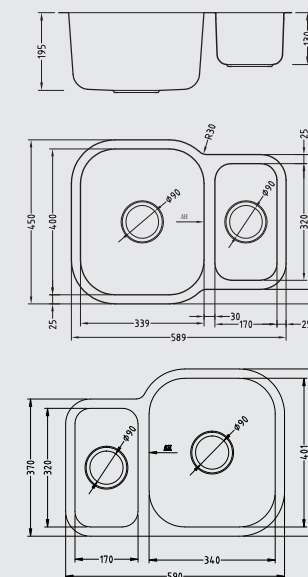
Etrodo 589/450U REV



Etrodo 589/450U BBR

Shown with waste tidy, see page 209

Minimum cabinet size: 600mm  
For accessories see pages 208, 209





“The 589’s big brother.  
If you have an 800mm sink base or bigger, go for it!”

Image shown  
ETRODUO 781/450U BBL



Image shown  
ETRODUO 535/191U BBL

SINK MODEL **ETRODUO 781/450U BBL**  
SINK MODEL **ETRODUO 450/781U BBR**

1810 Code **ED/7845/U/MS/BBL/100**  
1810 Code **ED/7845/U/MS/BBR/101**

SINK MODEL **ETRODUO 535/191U BBL**  
SINK MODEL **ETRODUO 191/535U BBR**

1810 Code **ED/5319/U/MS/BBL/103**  
1810 Code **ED/1953/U/MS/BBR/104**

- Undermount bowl
- Satin finish
- Insusound®
- 3½” basket strainer waste and overflow included
- Individually boxed
- Steel thickness 1.2mm
- Maximiser plumbing kit included

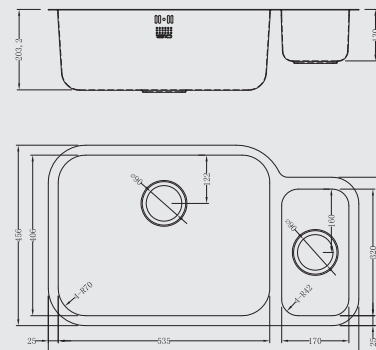


Etrodo 450/781U BBR



Etrodo 781/450U BBL

Shown with waste tidy, see page 209



Minimum cabinet size: 800mm  
For accessories see pages 208, 209

- Undermount bowl
- Satin finish
- Insusound®
- 3½” basket strainer waste and overflow included
- Individually boxed
- Steel thickness 1.2mm
- Maximiser plumbing kit included

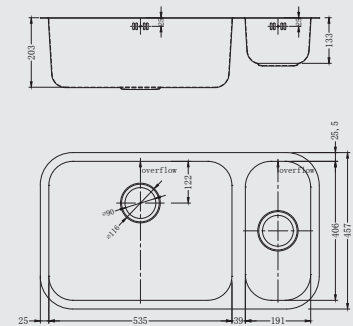


Etrodo 191/535U BBR



Etrodo 535/191U BBL

Shown with waste tidy, see page 209



Minimum cabinet size: 900mm  
For accessories see pages 208, 209



“A versatile double bowl that fits into an 800mm unit”

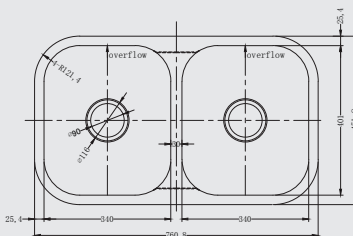
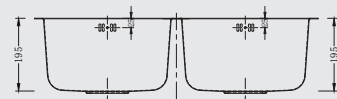


“3 bowls, a practical sink when you don't always want to use your dishwasher!”

SINK Model **ETRODUO 340/340U**

1810 Code **ED/3434/U/MS/105**

- Undermount bowl
- Satin finish
- Insusound®
- 3 1/2" basket strainer waste and overflow included
- Individually boxed
- Steel thickness 1.2mm
- Maximiser plumbing kit included



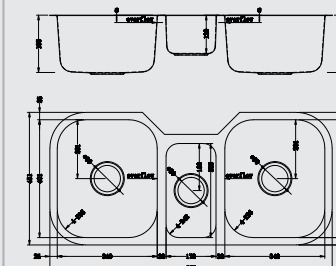
Shown with waste tidy, see page 209

Minimum cabinet size: 800mm  
For accessories see pages 208, 209

SINK Model **ETROTRIO 960/450U**

1810 Code **ET/9645/U/MS/102**

- Undermount bowl
- Satin finish
- Insusound®
- 3 1/2" basket strainer waste and overflow included
- Individually boxed
- Steel thickness 1.2mm
- Maximiser plumbing kit included



Shown with waste tidy, see page 209

Minimum cabinet size: 1000mm  
For accessories see pages 208, 209



Image shown  
RAZORUNO10 5 I-F BBL

SINK Model **RAZORUNO10 5 I-F BBL**  
SINK Model **RAZORUNO10 5 I-F BBR**

1810 Code **RU/5/IF/U10/S/BBL/250**  
1810 Code **RU/5/IF/U10/S/BBR/251**

- Handmade inset bowl
- Razor edge profile
- Satin finish
- Insusound
- 3 1/2" BSW and concealed overflow included
- Maximiser plumbing kit included
- Individually boxed
- Top deck - 3.5mm tapered edges
- No tap brace required when using high neck taps
- Bowl - 1.2mm thick stainless steel

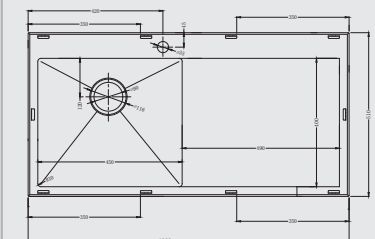
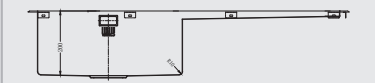
Minimum cabinet size: 500mm  
For accessories see pages 208, 209



Razoruno10 5 I-F BBL



Razoruno10 5 I-F BBR



Shown with waste tidy, see page 209

## The RAZOR10 Range

A range of inset sinks featuring a 10mm radius and contemporary 'Razor' edge profile

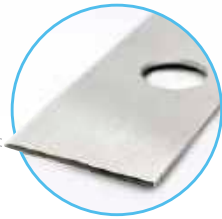


Image shown  
RAZORUNO10 55 I-F BBL

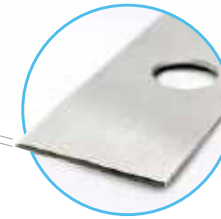


Image shown  
RAZORUNO10 6 I-F BBL

SINK Model **RAZORUNO10 55 I-F BBL**  
SINK Model **RAZORUNO10 55 I-F BBR**

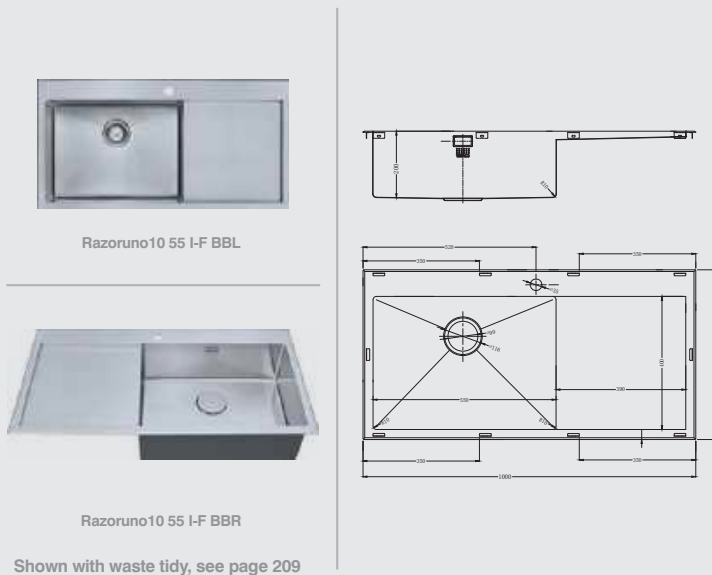
1810 Code **RU/55/IF/U10/S/BBL/252**  
1810 Code **RU/55/IF/U10/S/BBR/253**

SINK Model **RAZORDUO10 6 I-F BBL**  
SINK Model **RAZORDUO10 6 I-F BBR**

1810 Code **RD/6/IF/U10/S/BBL/254**  
1810 Code **RD/6/IF/U10/S/BBR/255**

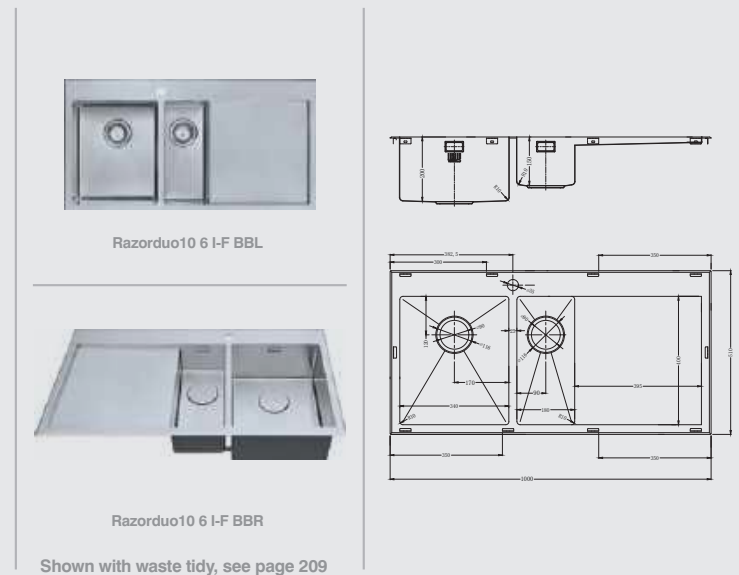
- Handmade inset bowl
- Razor edge profile
- Satin finish
- Insusound
- 3/2" BSW and concealed overflow included
- Maximiser plumbing kit included
- Individually boxed
- Top deck - 3.5mm tapered edges
- No tap brace required when using high neck taps
- Bowl - 1.2mm thick stainless steel

Minimum cabinet size: 600mm  
For accessories see pages 208, 209



- Handmade inset bowl
- Razor edge profile
- Satin finish
- Insusound
- 3/2" BSW and concealed overflow included
- Maximiser plumbing kit included
- Individually boxed
- Top deck - 3.5mm tapered edges
- No tap brace required when using high neck taps
- Bowl - 1.2mm thick stainless steel

Minimum cabinet size: 600mm  
For accessories see pages 208, 209





## The Forza Range

The handmade Forza range feature a 10mm internal radius and benefit from 1.2mm thick steel providing strength and durability.



“Handmade bowls at an affordable price”

Image shown  
FORZADUO 150i BBL

SINK MODEL **FORZADUO 150i BBL**  
SINK MODEL **FORZADUO 150i BBR**

1810 Code **FD/150/I/S/BBL/405**  
1810 Code **FD/150/I/S/BBR/406**

- Handmade bowl welded to a pressed top frame
- Inset installation
- Insusound®
- Satin finish
- Steel thickness 1.2mm
- 3½" basket strainer waste and concealed overflow included
- Maximiser plumbing kit included
- Individually boxed
- Template included

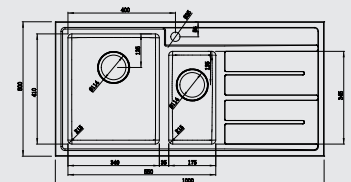
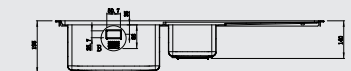
Minimum cabinet size: 600mm  
For accessories see pages 208, 209



Forzaduo 150i BBL



Forzaduo 150i BBR



Shown with waste tidy, see page 209





Image shown  
FORZAUNO 800i BBL



Image shown  
FORZAUNO 100i LARGE BBL

“An extremely large bowl compatible with a standard size base unit”

SINK MODEL **FORZAUNO 800i BBL**  
SINK MODEL **FORZAUNO 800i BBR**

1810 Code **FU/80/I/S/BBL/401**  
1810 Code **FU/80/I/S/BBR/402**

SINK MODEL **FORZAUNO 100i LARGE BBL**  
SINK MODEL **FORZAUNO 100i LARGE BBR**

1810 Code **FU/100/I/S/BBL/LGE/403**  
1810 Code **FU/100/I/S/BBR/LGE/404**

- Handmade bowl welded to a pressed top frame
- Inset installation
- Insusound®
- Satin finish
- Steel thickness 1.2mm
- 3 1/2" basket strainer waste and concealed overflow included
- Maximiser plumbing kit included
- Individually boxed
- Template included

Minimum cabinet size: 500mm  
For accessories see pages 208, 209

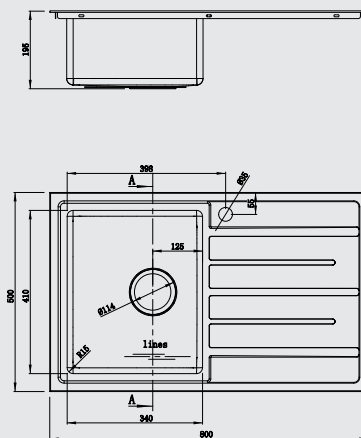


Forzauno 800i BBL



Forzauno 800i BBR

Shown with waste tidy, see page 209



- Handmade bowl welded to a pressed top frame
- Inset installation
- Insusound®
- Satin finish
- Steel thickness 1.2mm
- 3 1/2" basket strainer waste and concealed overflow included
- Maximiser plumbing kit included
- Individually boxed
- Template included

Minimum cabinet size: 600mm  
For accessories see pages 208, 209



Forzauno 100i Large BBL



Forzauno 100i Large BBR

Shown with waste tidy, see page 209

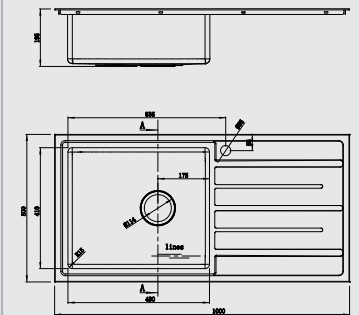




Image shown  
BORDOUNO 800i BBL

SINK Model **BORDOUNO 800i BBL**  
SINK Model **BORDOUNO 800i BBR**

1810 Code **BU/80/I/S/BBL/420**  
1810 Code **BU/80/I/S/BBR/421**

- Pressed bowl welded to a top frame
- Inset installation
- Insusound®
- Satin finish
- Steel thickness 1mm
- 3 1/2" basket strainer waste and concealed overflow included
- Maximiser plumbing kit included
- Individually boxed
- Template included

Minimum cabinet size: 500mm  
For accessories see pages 208, 209

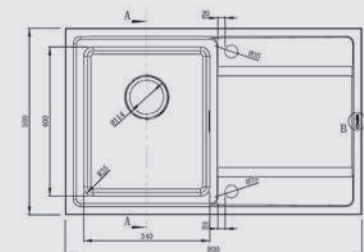


Bordouno 800i BBL



Bordouno 800i BBR

Shown with waste tidy, see page 209



The **Bordo** Range  
A range of inset sinks featuring  
the latest in contemporary design.



Image shown  
BORDOUNO 100i LARGE BBL



Image shown  
BORDODUO 150i BBL

SINK Model **BORDOUNO 100i LARGE BBL**  
SINK Model **BORDOUNO 100i LARGE BBR**

1810 Code **BU/100/I/S/BBL/LGE/422**  
1810 Code **BU/100/I/S/BBR/LGE/423**

SINK Model **BORDODUO 150i BBL**  
SINK Model **BORDODUO 150i BBR**

1810 Code **BD/150/I/S/BBL/424**  
1810 Code **BD/150/I/S/BBR/425**

- Pressed bowl welded to a top frame
- Inset installation
- Insusound®
- Satin finish
- Steel thickness 1mm
- 3 1/2" basket strainer waste and concealed overflow included
- Maximiser plumbing kit included
- Individually boxed
- Template included

Minimum cabinet size: 800mm  
For accessories see pages 208, 209

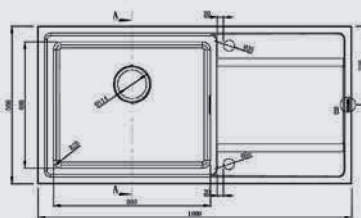


Bordouno 100i LARGE BBL



Bordouno 100i LARGE BBR

Shown with waste tidy, see page 209



- Pressed bowl welded to a top frame
- Inset installation
- Insusound®
- Satin finish
- Steel thickness 1mm
- 3 1/2" basket strainer waste and concealed overflow included
- Maximiser plumbing kit included
- Individually boxed
- Template included

Minimum cabinet size: 600mm  
For accessories see pages 208, 209

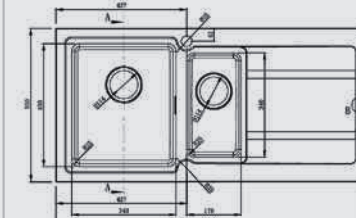


Bordoduo 150i BBL



Bordoduo 150i BBR

Shown with waste tidy, see page 209



This sink is not suitable for use with a square based tap due to the rounded tap platform

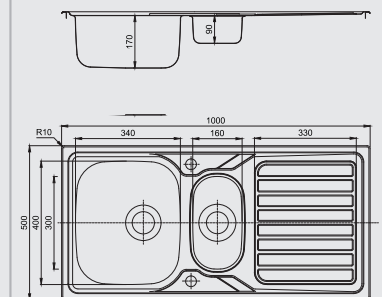


“Our value sink 0.8mm thick steel and all you need in the box”

SINK Model **VELOREDUO 100i**

1810 Code **VD/100/I/P/REV/048**

- Inset bowl and drainer
- Satin finish
- 3 1/2" basket strainer waste and overflow included
- Fixing kit
- Individually boxed
- Single piece construction
- Steel thickness 0.8mm
- Maximiser plumbing kit included



Minimum cabinet size: 600mm  
For accessories see pages 208, 209

The **Velore** Range  
The Velore range combines modern design,  
high specification and competitive pricing

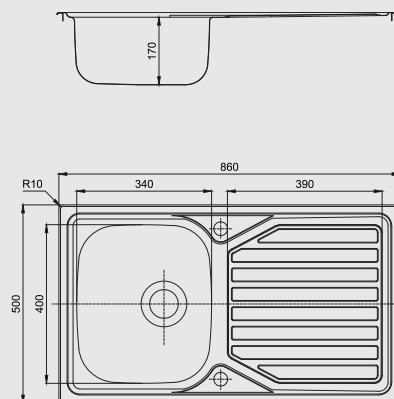


“450mm single bowl. Why not if you have space!”

SINK Model **VELOREUNO 860i**

1810 Code **VU/86/I/P/REV/047**

- Inset bowl and drainer
- Satin finish
- 3 1/2" basket strainer waste and overflow included
- Fixing kit
- Individually boxed
- Single piece construction
- Steel thickness 0.8mm
- Maximiser plumbing kit included

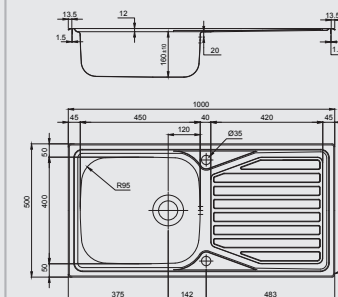


Minimum cabinet size: 500mm  
For accessories see pages 208, 209

SINK Model **VELOREUNO 100i LARGE**

1810 Code **VU/100/I/P/REV/LGE/050**

- Inset bowl and drainer
- Satin finish
- 3 1/2" basket strainer waste and overflow included
- Fixing kit
- Individually boxed
- Single piece construction
- Steel thickness 0.8mm
- Maximiser plumbing kit included



Minimum cabinet size: 600mm  
For accessories see pages 208, 209



The purquartz  
Inset **Blade** Range  
A range of inset Purquartz sinks  
in a choice of six popular colourways.

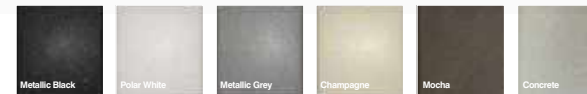


Image shown  
**Metallic Grey**

**SINK Model BLADEUNO 860i**

1810 Code

- BLU/86/1/PQ/REV/BL/900 (Metallic Black)
- BLU/86/1/PQ/REV/CH/901 (Champagne)
- BLU/86/1/PQ/REV/CO/902 (Concrete)
- BLU/86/1/PQ/REV/GR/903 (Metallic Grey)
- BLU/86/1/PQ/REV/MO/904 (Mocha)
- BLU/86/1/PQ/REV/WH/905 (Polar White)

- Inset Purquartz bowl
- Fixings included
- Matte finish
- 3 1/2" strainer waste
- Waste tidy included
- Maximiser plumbing kit included
- Copper, gunmetal or gold brass effect basket strainer waste complete with overflow also available - see page 209

Minimum cabinet size: 450mm  
For accessories see pages 208, 209

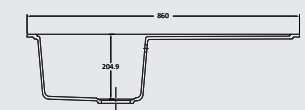
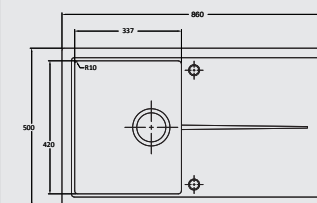




Image shown  
Polar White



Image shown  
Concrete

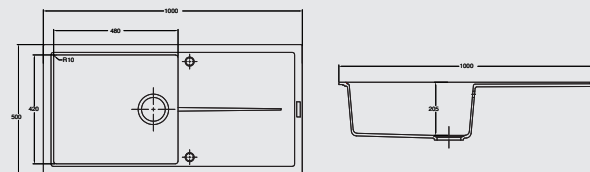
**SINK Model BLADEUNO 100i LARGE**

1810 Code

- BLU/100/I/PQ/REV/LGE/BL/910 (Metallic Black)
- BLU/100/I/PQ/REV/LGE/CH/911 (Champagne)
- BLU/100/I/PQ/REV/LGE/CO/912 (Concrete)
- BLU/100/I/PQ/REV/LGE/GR/913 (Metallic Grey)
- BLU/100/I/PQ/REV/LGE/MO/914 (Mocha)
- BLU/100/I/PQ/REV/LGE/WH/915 (Polar White)

- Inset Purquartz bowl
- Fixings included
- Matte finish
- 3½" strainer waste
- Waste tidy included
- Maximiser plumbing kit included
- Copper, gunmetal or gold brass effect basket strainer waste complete with overflow also available - see page 209

Minimum cabinet size: 600mm  
For accessories see pages 208, 209



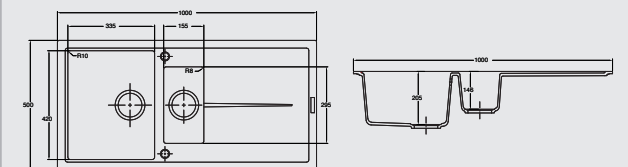
**SINK Model BLADEDUO 150i**

1810 Code

- BLD/150/I/PQ/REV/BL/920 (Metallic Black)
- BLD/150/I/PQ/REV/CH/921 (Champagne)
- BLD/150/I/PQ/REV/CO/922 (Concrete)
- BLD/150/I/PQ/REV/GR/923 (Metallic Grey)
- BLD/150/I/PQ/REV/MO/924 (Mocha)
- BLD/150/I/PQ/REV/WH/925 (Polar White)

- Inset Purquartz bowl
- Fixings included
- Matte finish
- 3½" strainer waste
- Waste tidy included
- Maximiser plumbing kit included
- Copper, gunmetal or gold brass effect basket strainer waste complete with overflow also available - see page 209

Minimum cabinet size: 600mm  
For accessories see pages 208, 209



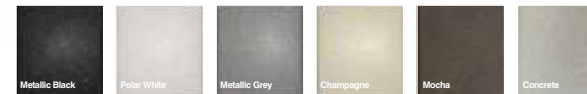


Image shown  
Metallic Grey



## The purquartz Inset Shard Range

Quartz insets in a choice of contemporary colours

Image shown: Shardduo 150i with copper basket strainer waste and overflow complemented by the Courbe Purquartz tap with copper accents.

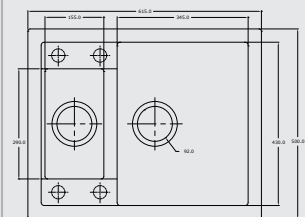
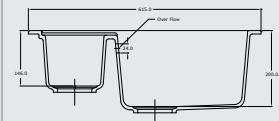
### SINK Model SHARDDUO 615i

#### 1810 Code

SD/615/I/PQ/REV/BL/800 (Metallic Black)  
SD/615/I/PQ/REV/WH/801 (Polar White)  
SD/615/I/PQ/REV/GR/802 (Metallic Grey)  
SD/615/I/PQ/REV/CH/803 (Champagne)  
SD/615/I/PQ/REV/MO/804 (Mocha)  
SD/615/I/PQ/REV/CO/805 (Concrete)

- Inset Purquartz bowl
- Fixings included
- Matte finish
- 3/2" strainer waste
- Waste tidy included
- Maximiser plumbing kit included
- Copper, gunmetal or gold brass effect basket strainer waste complete with overflow also available - see page 209

Minimum cabinet size: 600mm  
For accessories see pages 208, 209



Shown with waste tidy, see page 209





Image shown  
Concrete



Image shown  
Polar White

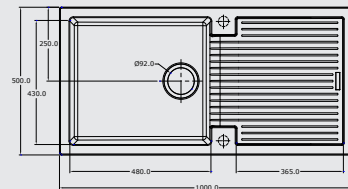
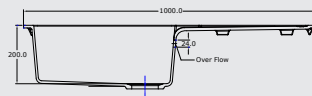
## SINK Model SHARDUNO 100i Large

### 1810 Code

- SU/100/I/PQ/REV/BL/810 (Metallic Black)
- SU/100/I/PQ/REV/WH/811 (Polar White)
- SU/100/I/PQ/REV/GR/812 (Metallic Grey)
- SU/100/I/PQ/REV/CH/813 (Champagne)
- SU/100/I/PQ/REV/MO/814 (Mocha)
- SU/100/I/PQ/REV/CO/815 (Concrete)

- Inset Purquartz bowl
- Fixings included
- Matte finish
- 3 1/2" strainer waste
- Waste tidy included
- Maximiser plumbing kit included
- Copper, gunmetal or gold brass effect basket strainer waste complete with overflow also available - see page 209

Minimum cabinet size: 600mm  
For accessories see pages 208, 209



Shown with waste tidy, see page 209

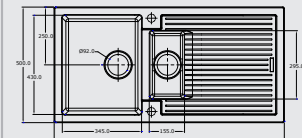
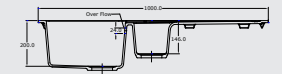
## SINK Model SHARDDUO 150i

### 1810 Code

- SD/150/I/PQ/REV/BL/820 (Metallic Black)
- SD/150/I/PQ/REV/WH/821 (Polar White)
- SD/150/I/PQ/REV/GR/822 (Metallic Grey)
- SD/150/I/PQ/REV/CH/823 (Champagne)
- SD/150/I/PQ/REV/MO/824 (Mocha)
- SD/150/I/PQ/REV/CO/825 (Concrete)

- Inset Purquartz bowl
- Fixings included
- Matte finish
- 3 1/2" strainer waste
- Waste tidy included
- Maximiser plumbing kit included
- Copper, gunmetal or gold brass effect basket strainer waste complete with overflow also available - see page 209

Minimum cabinet size: 600mm  
For accessories see pages 208, 209



Shown with waste tidy, see page 209



Image shown  
Champagne

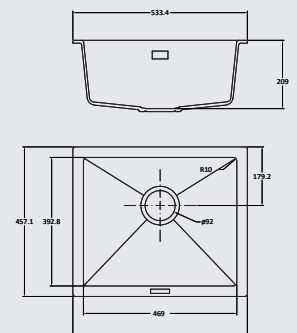
**SINK Model CAVAUNO 469U**

1810 Code

- CU/46/U/PQ/BL/700 (Metallic Black)
- CU/46/U/PQ/WH/701 (Polar White)
- CU/46/U/PQ/GR/702 (Metallic Grey)
- CU/46/U/PQ/CH/703 (Champagne)
- CU/46/U/PQ/MO/704 (Mocha)
- CU/46/U/PQ/CO/705 (Concrete)

- Undermount Purquartz bowl
- Fixings included
- Matte finish
- 3½" strainer waste
- Waste tidy included
- Maximiser plumbing kit included
- Copper, gunmetal or gold brass effect basket strainer waste complete with overflow also available - see page 209

Minimum cabinet size: 600mm  
For accessories see pages 208, 209



Shown with waste tidy, see page 209

The purquartz  
Undermount Cava Range

Quartz undermounts for a contrasting  
finish to your solid surface.



Image shown  
Metallic Grey

**SINK Model CAVAUNO 720U**

1810 Code

- CU/72/U/PQ/BL/710 (Metallic Black)
- CU/72/U/PQ/WH/711 (Polar White)
- CU/72/U/PQ/GR/712 (Metallic Grey)
- CU/72/U/PQ/CH/713 (Champagne)
- CU/72/U/PQ/MO/714 (Mocha)
- CU/72/U/PQ/CO/715 (Concrete)

- Undermount Purquartz bowl
- Fixings included
- Matte finish
- 3/2" strainer waste
- Waste tidy included
- Maximiser plumbing kit included
- Copper, gunmetal or gold brass effect basket strainer waste complete with overflow also available - see page 209

Minimum cabinet size: 800mm  
For accessories see pages 208, 209



Shown with waste tidy, see page 209

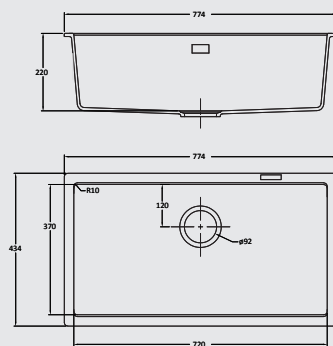


Image shown  
Mocha

**SINK Model CAVADUO 335/155U**

1810 Code

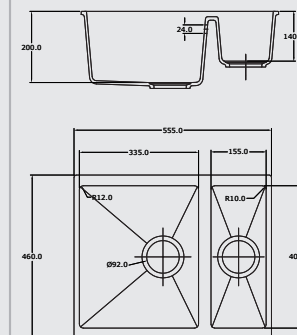
- CD/3315/U/PQ/REV/BL/720 (Metallic Black)
- CD/3315/U/PQ/REV/WH/721 (Polar White)
- CD/3315/U/PQ/REV/GR/722 (Metallic Grey)
- CD/3315/U/PQ/REV/CH/723 (Champagne)
- CD/3315/U/PQ/REV/MO/724 (Mocha)
- CD/3315/U/PQ/REV/CO/725 (Concrete)

- Undermount Purquartz bowl
- Fixings included
- Matte finish
- 3/2" strainer waste
- Waste tidy included
- Maximiser plumbing kit included
- Copper, gunmetal or gold brass effect basket strainer waste complete with overflow also available - see page 209

Minimum cabinet size: 600mm  
For accessories see pages 208, 209



Shown with waste tidy, see page 209

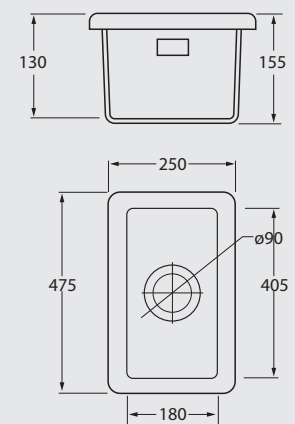




SINK Model **ARGILLA FIRECLAY 250**

1810 Code **FCU/250/WH/851**

- White fireclay bowl
- Suitable for top or undermount installation
- Hygienic
- Non-porous
- Chemical resistant
- Extremely hardwearing
- Tolerances: +/- 2% of dimensions
- Wastes not included
- Heat resistant to 1600°C
- G Clip installation recommended 



**PLEASE NOTE:** A DXF is not available, sink should be used as template. When undermounting, a minimum gap of 4mm must be left between the sink and the worktop.

Minimum cabinet size: 300mm  
For accessories see pages 208, 209

## The Argilla Fireclay Range

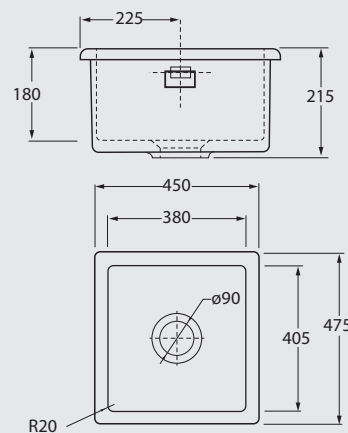
A range of highly durable white fireclay sinks featuring a non-porous surface with an everlasting shine.



SINK Model **ARGILLA FIRECLAY 450**

1810 Code **FCU/450/WH/852**

- White fireclay bowl
- Suitable for top or undermount installation
- Hygienic
- Non-porous
- Chemical resistant
- Extremely hardwearing
- **Tolerances: +/- 2% of dimensions**
- Wastes not included
- Heat resistant to 1600°C
- G Clip installation recommended



**PLEASE NOTE:** A DXF is not available, sink should be used as template. When undermounting, a minimum gap of 4mm must be left between the sink and the worktop.

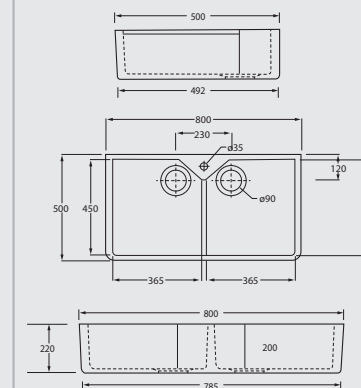
Minimum cabinet size: 500mm  
For accessories see pages 208, 209



SINK Model **ARGILLA FIRECLAY 800**

1810 Code **FCD/800/WH/853**

- White fireclay double bowl
- Sit-on installation
- Hygienic
- Non-porous
- Chemical resistant
- Extremely hardwearing
- **Tolerances: +/- 2% of dimensions**
- Wastes not included
- Heat resistant to 1600°C



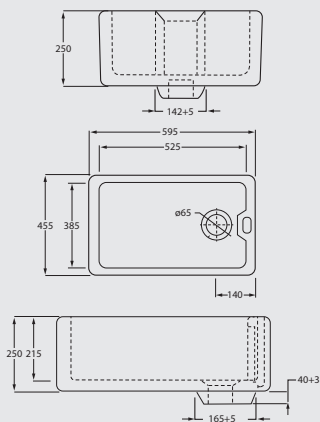
**PLEASE NOTE:** A DXF is not available, sink should be used as template.

For accessories see pages 208, 209



**SINK Model ARGILLA FIRECLAY BELFAST 595 1810 Code FCU/595/BEL/WH/850**

- White fireclay Belfast sink
- Sit-on installation
- Weir overflow
- Hygienic
- Non-porous
- Chemical resistant
- Extremely hardwearing
- **Tolerances: +/- 2% of dimensions**
- Wastes not included
- Heat resistant to 1600°C
- Reversible




**PLEASE NOTE:** A DXF is not available, sink should be used as template.

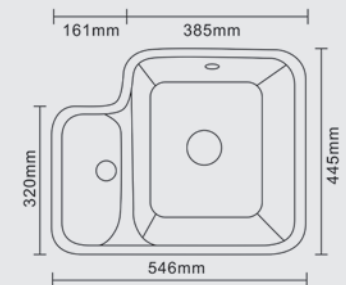
For accessories see pages 208, 209



CERAMICA | PURO

Available in  
BBR ONLYSINK Model **ETRODUO 343/136UC**1810 Code **ED/3413/U/C/091-WH**

- Undermount ceramic bowl
- Heat resistant to 1200°C
- Hygienic
- Non Porous
- Ultra smooth white surface
- Chemical resistant, inc neat bleach
- Extremely hardwearing
- Individually boxed
- 3½" basket strainer waste and overflow included
- G Clip installation recommended 
- Maximiser plumbing kit included
- Copper or gold effect basket strainer waste complete with overflow also available - see page 209



**PLEASE NOTE:** A DXF is not available, sink should be used as template. When installing, a minimum gap of 4mm must be left between the sink and the worktop.

Minimum cabinet size: 600mm  
For accessories see pages 208, 209

The Etro  
Ceramic Range

The Etro Ceramic Range  
has a curved classic design.

NEOPERL  
AERATORImage shown  
FON/01/CH

## 1810 Taps

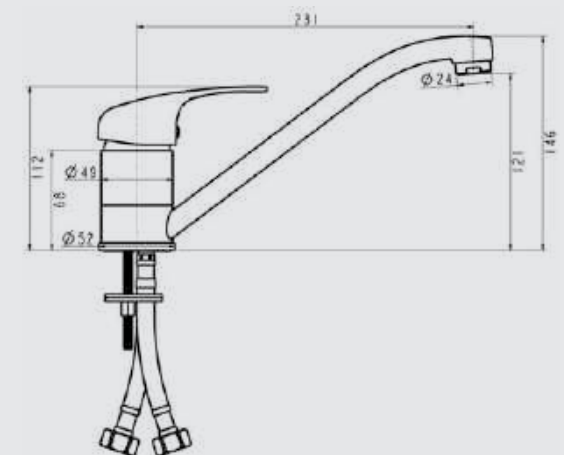
1810 Taps come in a variety of contemporary and classic designs, all come with a Neoperl Aerator which produces a non-splash creamy flow.

### TAP MODEL FONTAINE SINGLE LEVER

1810 Code

**FON/01/CH**

Finished in chrome



- WRAS Approved
- Includes Neoperl Aerator and 1/2" flexible tails
- Min operating pressure - 0.5 bar
- Recommended operating pressure - 1 bar





NEOPERL  
AERATOR



Image shown  
COU/01/CH



NEOPERL  
AERATOR



Image shown  
CAS/01/CH

TAP MODEL COURBE CURVED SPOUT

- 1810 Code **COU/01/CH**  
Finished in chrome
- 1810 Code **COU/02/BS**  
Finished in brushed steel
- 1810 Code **COU/04/COP**  
Finished in copper
- 1810 Code **COU/05/GM**  
Finished in gunmetal
- 1810 Code **COU/06/GB**  
Finished in gold brass
- 1810 Code **COU/07/MB**  
Finished in matte black

- WRAS Approved
- Includes Neoperl Aerator and 1/2" flexible tails
- Min operating pressure - 0.5 bar
- Recommended operating pressure - 1 bar



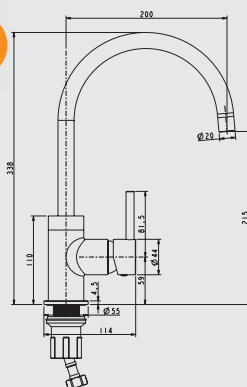
Also available  
COU/02/BS



Also available  
COU/04/COP



Also available  
COU/07/MB



Also available  
COU/05/GM



Also available  
COU/06/GB

TAP MODEL CASCATA SQUARE SPOUT

- 1810 Code **CAS/01/CH**  
Finished in chrome
- CAS/02/BS**  
Finished in brushed steel
- CAS/07/MB**  
Finished in matte black

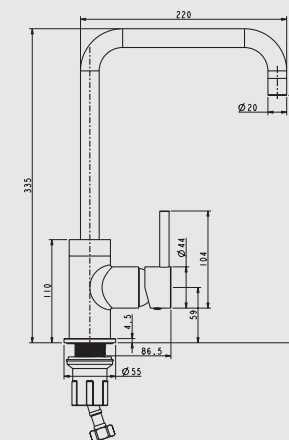
- WRAS Approved
- Includes Neoperl Aerator and 1/2" flexible tails
- Min operating pressure - 0.5 bar
- Recommended operating pressure - 1 bar



Also available  
CAS/02/BS



Also available  
CAS/07/MB





NEOPERL AERATOR



Image shown  
PLU/01/CH

TAP MODEL PLUIE ANGLED SPOUT

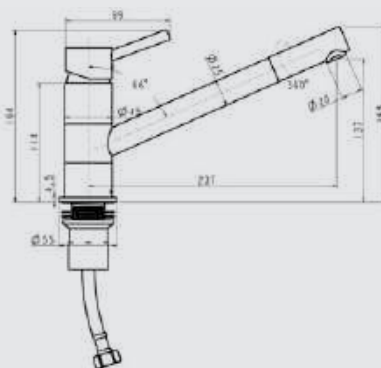
1810 Code  
**PLU/01/CH**  
Finished in chrome

1810 Code  
**PLU/02/BS**  
Finished in brushed steel

- WRAS Approved
- Includes Neoperl Aerator and 1/2" flexible tails
- Min operating pressure - 0.5 bar
- Recommended operating pressure - 1 bar



Also available  
PLU/02/BS



NEOPERL AERATOR



Image shown  
DAV/01/CH

Pull-out version available please see page 167

TAP MODEL DAVANTI SINGLE LEVER

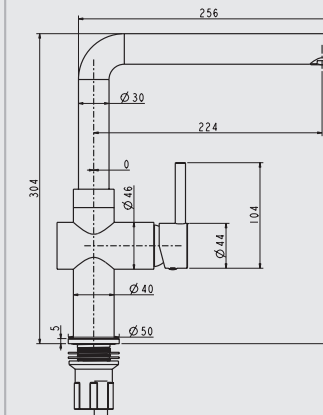
1810 Code  
**DAV/01/CH**  
Finished in chrome

1810 Code  
**DAV/02/BS**  
Finished in brushed steel

- WRAS Approved
- Includes Neoperl Aerator and 1/2" flexible tails
- Min operating pressure - 0.5 bar
- Recommended operating pressure - 1 bar



Also available  
DAV/02/BS



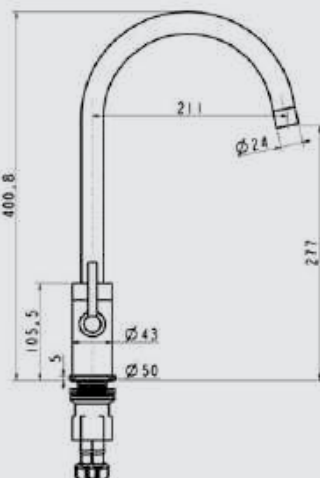
NEOPERL  
AERATORImage shown  
CUR/01/CHNEOPERL  
AERATORImage shown  
RUS/01/CH

## TAP MODEL CURVATO SLIM LEVER CURVED SPOUT

1810 Code  
**CUR/01/CH**  
Finished in chrome

1810 Code  
**CUR/02/BS**  
Finished in brushed steel

- WRAS Approved
- Includes Neoperl Aerator and 1/2" flexible tails
- Min operating pressure - 0.5 bar
- Recommended operating pressure - 1 bar

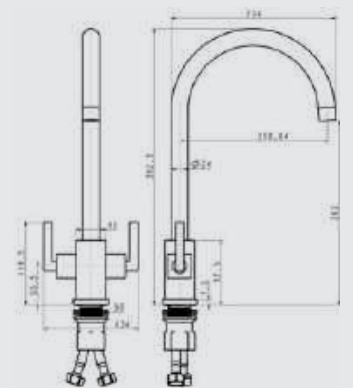
Also available  
CUR/02/BS

## TAP MODEL RUSCELLO SQUARE BODY SLIM LEVER

1810 Code  
**RUS/01/CH**  
Finished in chrome

1810 Code  
**RUS/02/BS**  
Finished in brushed steel

- WRAS Approved
- Includes Neoperl Aerator and 1/2" flexible tails
- Min operating pressure - 0.5 bar
- Recommended operating pressure - 1 bar

Also available  
RUS/02/BS



NEOPERL  
AERATOR



Image shown  
SEN/01/CH



NEOPERL  
AERATOR



Image shown  
PEN/01/CH

TAP MODEL 1810 XXX SINGLE LEVER

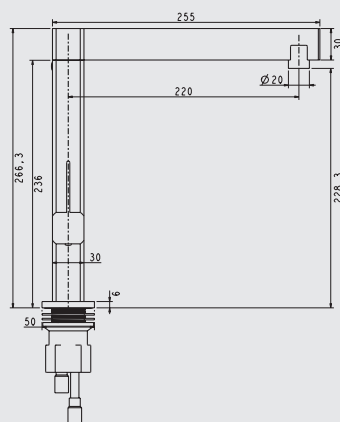
1810 Code  
**SEN/01/CH**  
Finished in chrome

1810 Code  
**SEN/02/BS**  
Finished in brushed steel

- WRAS Approved
- Includes Neoperl Aerator and 1/2" flexible tails
- Min operating pressure - 0.5 bar
- Recommended operating pressure - 1 bar



Also available  
**SEN/02/BS**



TAP MODEL PENDENZA ANGLE SPOUT

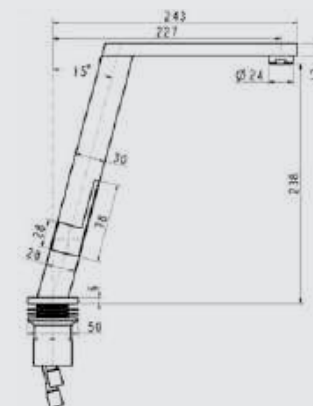
1810 Code  
**PEN/01/CH**  
Finished in chrome

1810 Code  
**PEN/02/BS**  
Finished in brushed steel

- WRAS Approved
- Includes Neoperl Aerator and 1/2" flexible tails
- Min operating pressure - 0.5 bar
- Recommended operating pressure - 1 bar



Also available  
**PEN/02/BS**





NEOPERL  
AERATOR

Image shown  
DAV-P/01/CH



NEOPERL  
AERATOR

Image shown  
GRA/01/CH

TAP MODEL DAVANTI PULL OUT SPRAY

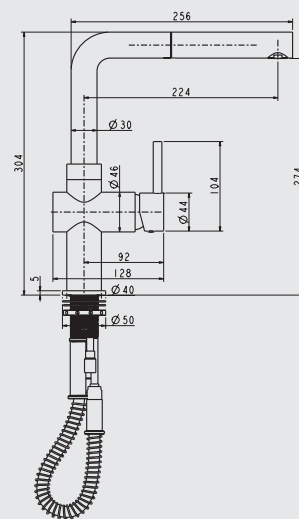
1810 Code  
DAV-P/01/CH  
Finished in chrome

1810 Code  
DAV-P/02/BS  
Finished in brushed steel

- Includes Neoperl Aerator and 1/2" flexible tails
- Min operating pressure - 0.5 bar
- Recommended operating pressure - 1 bar



Also available  
DAV-P/02/BS



TAP MODEL GRANDE PULL OUT SPRAY

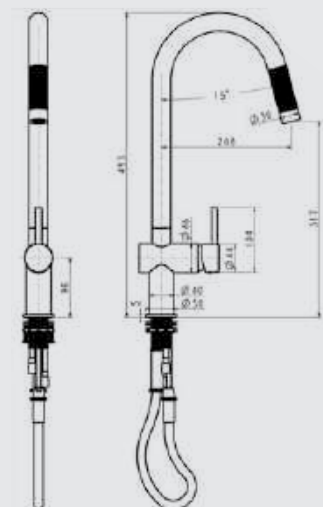
1810 Code  
GRA/01/CH  
Finished in chrome

1810 Code  
GRA/02/BS  
Finished in brushed steel

- Includes Neoperl Aerator and 1/2" flexible tails
- Min operating pressure - 0.5 bar
- Recommended operating pressure - 1 bar



Also available  
GRA/02/BS





NEOPERL AERATOR



Image shown VER/01/CH



NEOPERL AERATOR



Image shown FIN/01/CH

TAP MODEL VERSARE SQUARE DESIGN

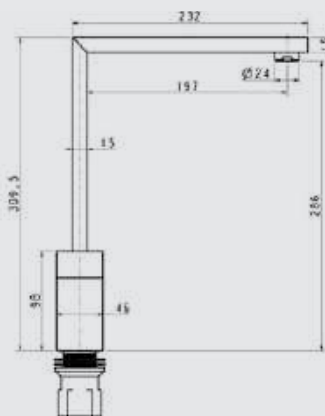
1810 Code  
**VER/01/CH**  
Finished in chrome

1810 Code  
**VER/02/BS**  
Finished in brushed steel

- WRAS Approved
- Includes Neoperl Aerator and 1/2" flexible tails
- Min operating pressure - 0.5 bar
- Recommended operating pressure - 1 bar



Also available VER/02/BS



TAP MODEL FINIRE KNURLED TWO HOLE

1810 Code  
**FIN/01/CH**  
Finished in chrome  
**FIN/02/BS**  
Finished in brushed steel  
**FIN/04/COP**  
Finished in copper  
**FIN/05/GM**  
Finished in gunmetal  
**FIN/06/GB**  
Finished in gold brass

- Includes Neoperl Aerator and 1/2" flexible tails
- Min operating pressure - 0.5 bar
- Recommended operating pressure - 1 bar

Accessible handle is an extra and should be ordered in addition to the tap





NEOPERL AERATOR

Image shown  
AER/01/CH



NEOPERL AERATOR

Includes handspray



Image shown  
NOV/01/CH

**TAP MODEL AERO 3 HOLE TAP DESIGN**

1810 Code **AER/01/CH**  
Finished in chrome

1810 Code **AER/02/BS**  
Finished in brushed steel

1810 Code **AER/04/COP**  
Finished in copper

1810 Code **AER/05/GM**  
Finished in gunmetal

1810 Code **AER/06/GB**  
Finished in gold brass

- Includes Neoperl Aerator and 1/2" flexible tails
- Min operating pressure - 0.5 bar
- Recommended operating pressure - 1 bar



Also available  
AER/02/BS



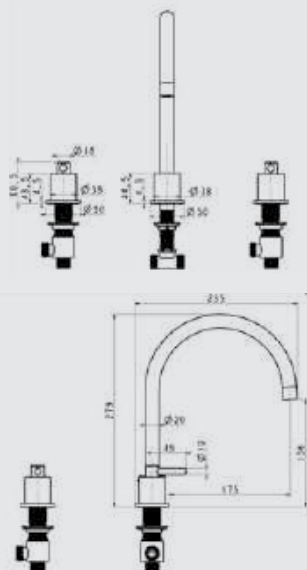
Also available  
AER/04/COP



Also available  
AER/05/GM



Also available  
AER/06/GB

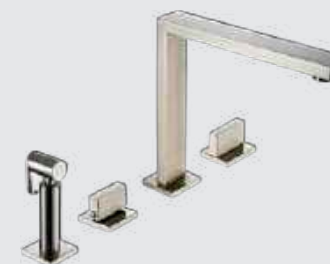


**TAP MODEL NOVANTA 4 HOLE DESIGN**

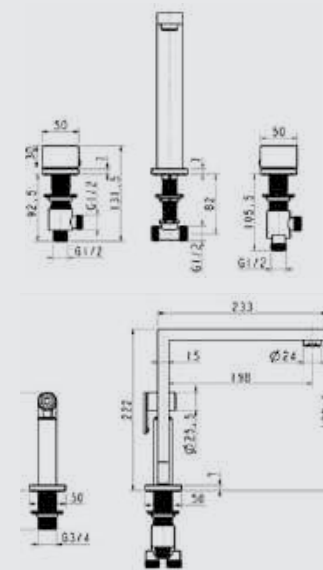
1810 Code **NOV/01/CH**  
Finished in chrome

1810 Code **NOV/02/BS**  
Finished in brushed steel

- WRAS Approved
- Includes Neoperl Aerator and 1/2" flexible tails
- Min operating pressure - 0.5 bar
- Recommended operating pressure - 1 bar



Also available  
NOV/02/BS





NEOPERL  
AERATOR



Image shown  
SPI-SPR/01/CH



NEOPERL  
AERATOR



Image shown  
SPI-KNR/05/GM

Spirale Knurled Hose Colours

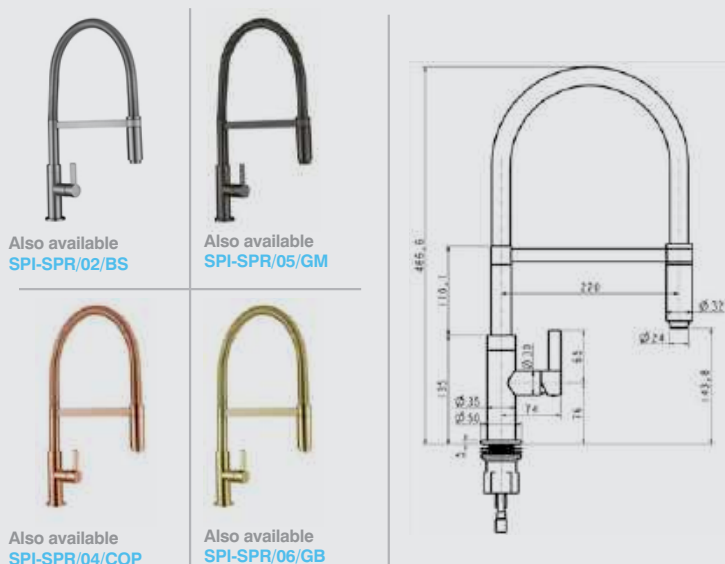
Yellow	Orange	Wine	Mid Blue	White	Chocolate	Light grey	Latte	Green	Anthracite	
Red	Black	Denim Blue	Concrete	Hot Pink	Indigo	Lime	Mocha	Pastel Blue	Pastel Green	Pastel Pink

TAP Model SPIRALE SPRING

1810 Code

- SPI-SPR/01/CH**  
Finished in chrome
- SPI-SPR/02/BS**  
Finished in brushed steel
- SPI-SPR/04/COP**  
Finished in copper
- SPI-SPR/05/GM**  
Finished in gunmetal
- SPI-SPR/06/GB**  
Finished in gold brass

- Includes Neoperl Aerator and 1/2" flexible tails
- Min operating pressure - 0.5 bar
- Recommended operating pressure - 1 bar

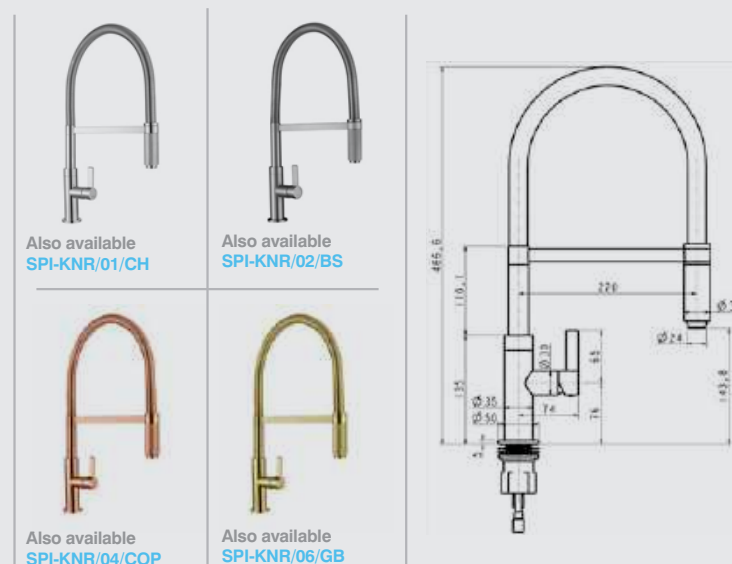


TAP Model SPIRALE FLEXIBLE SPOUT - KNURLED

1810 Code

- SPI-KNR/01/CH**  
Finished in chrome
- SPI-KNR/02/BS**  
Finished in brushed steel
- SPI-KNR/04/COP**  
Finished in copper
- SPI-KNR/05/GM**  
Finished in gunmetal
- SPI-KNR/06/GB**  
Finished in gold brass

- Includes Neoperl Aerator and 1/2" flexible tails
- Min operating pressure - 0.5 bar
- Recommended operating pressure - 1 bar
- Tap includes hose colour of your choice, see page 176









NEOPERL  
AERATOR



Image shown  
SPR/01/CH



NEOPERL  
AERATOR



Image shown  
CUR/01/CH/TRIO

**TAP MODEL SPRUZZO COLD RINSE HAND SPRAY**

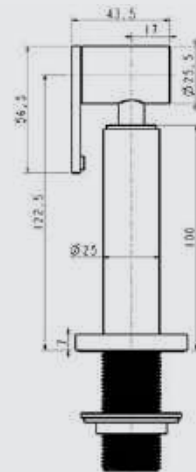
1810 Code  
**SPR/01/CH**  
Finished in chrome

1810 Code  
**SPR/02/BS**  
Finished in brushed steel

- WRAS Approved
- Includes Neoperl Aerator and 1/2" flexible tails
- Min operating pressure - 0.5 bar
- Recommended operating pressure - 1 bar



Also available  
**SPR/02/BS**



**TAP MODEL CURVATO TRIO WATER FILTER**

1810 Code  
**CUR/01/CH/TRIO**  
Finished in chrome

**CUR/02/BS/TRIO**  
Finished in brushed steel

- Includes Neoperl Aerator and 1/2" flexible tails
- Min operating pressure - 0.5 bar
- Recommended operating pressure - 1 bar

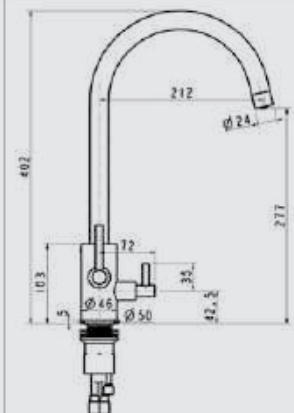


Also available  
**CUR/02/BS/TRIO**

**£5 Donated**  
For every filter tap sold



REG CHARITY: 1062559  
(ENGLAND & WALES),  
SC039757 (SCOTLAND)





# purquartz Effect taps

A selection of 1810 taps that will perfectly match with your Purquartz sink.



NEOPERL AERATOR



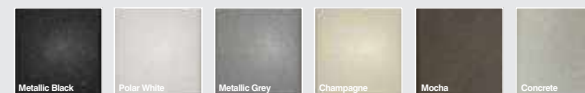
Image shown SEN/01/CH/PQ/BL

## TAP MODEL 1810 XXX SINGLE LEVER

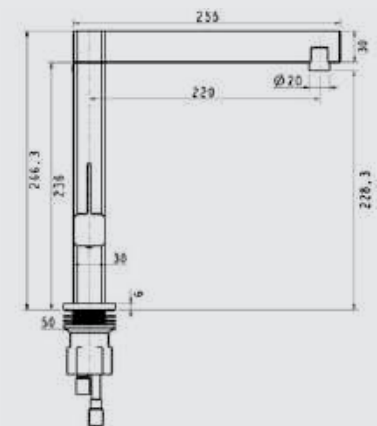
## purquartz EFFECT

### 1810 Code

- SEN/01/CH/PQ-BL (Metallic Black)
- SEN/01/CH/PQ-WH (Polar White)
- SEN/01/CH/PQ-GR (Metallic Grey)
- SEN/01/CH/PQ-CH Champagne)
- SEN/01/CH/PQ-MO (Mocha)
- SEN/01/CH/PQ-CO (Concrete)



- WRAS Approved
- Includes Neoperl Aerator and 1/2" flexible tails
- Min operating pressure - 0.5 bar
- Recommended operating pressure - 1 bar





NEOPERL  
AERATOR



Image shown  
COU-DUO/01/CH/PQ-BL



NEOPERL  
AERATOR



Image shown  
COU-DUO/01/CH/PQ-WH

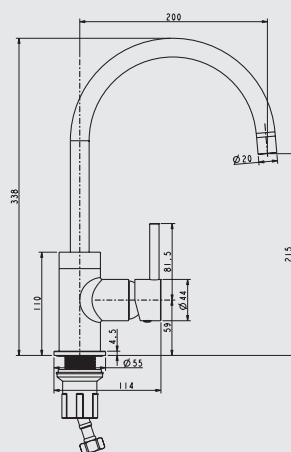
TAP MODEL COURBE DUO BLACK

purquartz EFFECT

TAP MODEL COURBE DUO WHITE

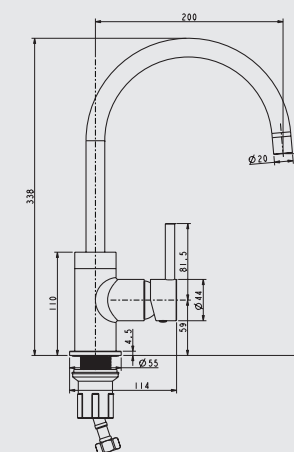
purquartz EFFECT

1810 Code  
COU-DUO/01/CH/PQ-BL (Black)



- WRAS Approved
- Includes Neoperl Aerator and 1/2" flexible tails
- Min operating pressure - 0.5 bar
- Recommended operating pressure - 1 bar

1810 Code  
COU-DUO/01/CH/PQ-WH (White)



- WRAS Approved
- Includes Neoperl Aerator and 1/2" flexible tails
- Min operating pressure - 0.5 bar
- Recommended operating pressure - 1 bar



NEOPERL  
AERATOR



Image shown  
COU/01/CH/PQ/GR



NEOPERL  
AERATOR



Image shown  
CAS/01/CH/PQ-CO

TAP MODEL COURBE CURVED SPOUT - CHROME

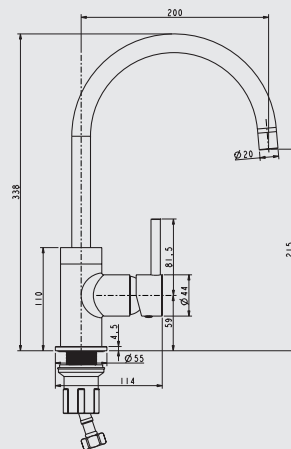
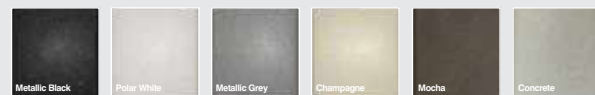


TAP MODEL CASCATA SQUARE SPOUT - CHROME



1810 Code

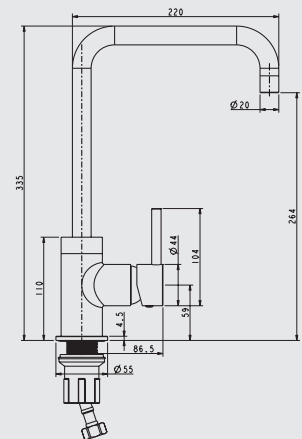
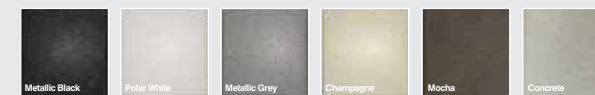
- COU/01/CH/PQ-BL (Metallic Black)
- COU/01/CH/PQ-WH (Polar White)
- COU/01/CH/PQ-GR (Metallic Grey)
- COU/01/CH/PQ-CH (Champagne)
- COU/01/CH/PQ-MO (Mocha)
- COU/01/CH/PQ-CO (Concrete)



- WRAS Approved
- Includes Neoperl Aerator and 1/2" flexible tails
- Min operating pressure - 0.5 bar
- Recommended operating pressure - 1 bar

1810 Code

- CAS/01/CH/PQ-BL (Metallic Black)
- CAS/01/CH/PQ-WH (Polar White)
- CAS/01/CH/PQ-GR (Metallic Grey)
- CAS/01/CH/PQ-CH (Champagne)
- CAS/01/CH/PQ-MO (Mocha)
- CAS/01/CH/PQ-CO (Concrete)



- WRAS Approved
- Includes Neoperl Aerator and 1/2" flexible tails
- Min operating pressure - 0.5 bar
- Recommended operating pressure - 1 bar



NEOPERL AERATOR



Image shown  
COU/04/COP/PQ/BL



NEOPERL AERATOR



Image shown  
CAS/04/COP/PQ-WH

TAP MODEL COURBE CURVED SPOUT - COPPER

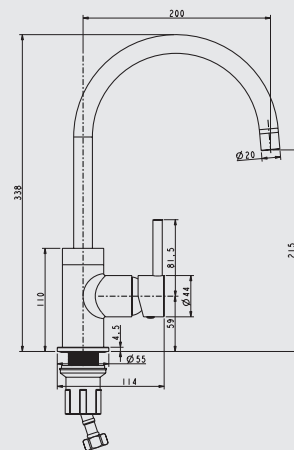


TAP MODEL CASCATA SQUARE SPOUT - COPPER



1810 Code

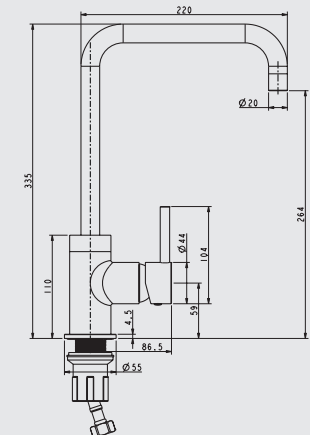
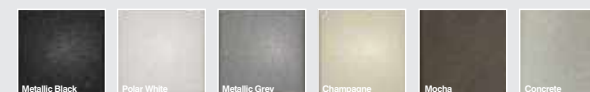
- COU/04/COP/PQ-BL (Metallic Black)
- COU/04/COP/PQ-WH (Polar White)
- COU/04/COP/PQ-GR (Metallic Grey)
- COU/04/COP/PQ-CH (Champagne)
- COU/04/COP/PQ-MO (Mocha)
- COU/04/COP/PQ-CO (Concrete)



- WRAS Approved
- Includes Neoperl Aerator and 1/2" flexible tails
- Min operating pressure - 0.5 bar
- Recommended operating pressure - 1 bar

1810 Code

- CAS/04/COP/PQ-BL (Metallic Black)
- CAS/04/COP/PQ-WH (Polar White)
- CAS/04/COP/PQ-GR (Metallic Grey)
- CAS/04/COP/PQ-CH (Champagne)
- CAS/04/COP/PQ-MO (Mocha)
- CAS/04/COP/PQ-CO (Concrete)



- WRAS Approved
- Includes Neoperl Aerator and 1/2" flexible tails
- Min operating pressure - 0.5 bar
- Recommended operating pressure - 1 bar



NEOPERL  
AERATOR



Image shown  
COU/01/GB/PQ/CH



NEOPERL  
AERATOR



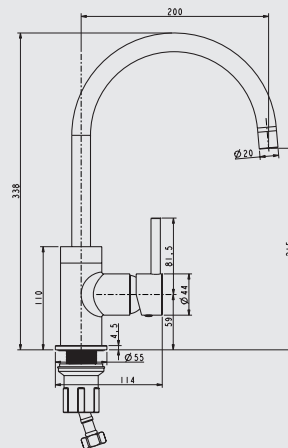
Image shown  
CAS/06/GB/PQ-MO

TAP MODEL COURBE CURVED SPOUT - GOLD BRASS **purquartz** EFFECT

TAP MODEL CASCATA SQUARE SPOUT - GOLD BRASS **purquartz** EFFECT

1810 Code

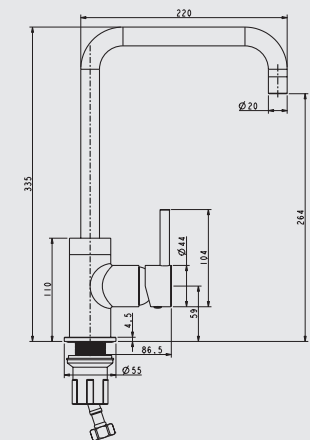
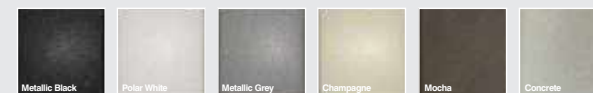
- COU/06/GB/PQ-BL (Metallic Black)
- COU/06/GB/PQ-WH (Polar White)
- COU/06/GB/PQ-GR (Metallic Grey)
- COU/06/GB/PQ-CH (Champagne)
- COU/06/GB/PQ-MO (Mocha)
- COU/06/GB/PQ-CO (Concrete)



- WRAS Approved
- Includes Neoperl Aerator and 1/2" flexible tails
- Min operating pressure - 0.5 bar
- Recommended operating pressure - 1 bar

1810 Code

- CAS/06/GB/PQ-BL (Metallic Black)
- CAS/06/GB/PQ-WH (Polar White)
- CAS/06/GB/PQ-GR (Metallic Grey)
- CAS/06/GB/PQ-CH (Champagne)
- CAS/06/GB/PQ-MO (Mocha)
- CAS/06/GB/PQ-CO (Concrete)



- WRAS Approved
- Includes Neoperl Aerator and 1/2" flexible tails
- Min operating pressure - 0.5 bar
- Recommended operating pressure - 1 bar



# Traditional Taps

A range of timeless kitchen taps to compliment classic kitchen styles.



NEOPERL AERATOR

Image shown ROD/01/CH

## TAP MODEL RODEZ TWIN LEVER

1810 Code

- ROD/01/CH (Chrome)
- ROD/02/BS (Brushed Steel)
- ROD/04/COP (Copper)
- ROD/05/GM (Gunmetal)
- ROD/06/GB (Gold Brass)

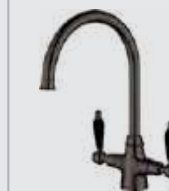
- Includes Neoperl Aerator and 1/2" flexible tails
- Min operating pressure - 0.5 bar
- Recommended operating pressure - 1 bar
- Supplied with both black and white handles, as shown on [page 154](#)



Also available ROD/02/BS



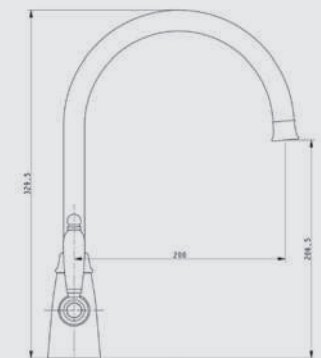
Also available ROD/04/COP



Also available ROD/05/GM



Also available ROD/06/GB







NEOPERL  
AERATOR

Image shown  
MOU/01/CH



TAP MODEL MOULINS CLASSIC BRIDGE MIXER

1810 Code

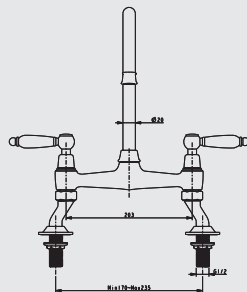
- MOU/01/CH (Chrome)
- MOU/02/BS (Brushed Steel)
- MOU/04/COP (Copper)
- MOU/05/GM (Gunmetal)
- MOU/06/GB (Gold Brass)



Also available  
MOU/02/BS



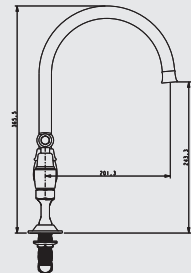
Also available  
MOU/04/COP



Also available  
MOU/05/GM



Also available  
MOU/06/GB



- Includes Neoperl Aerator and 1/2" flexible tails
- Min operating pressure - 0.5 bar
- Recommended operating pressure - 1 bar
- Supplied with both black and white handles, as shown on page 154



# Taps

QFIT – a range of kitchen taps to reduce installation time and eliminate remedial works.

**CURRENT METHOD IS INCONVENIENT**

MORE COMPONENTS TO ASSEMBLE  
ACCESS FROM UNDERNEATH  
LIMITED SPACE  
2 PEOPLE REQUIRED

**SOLUTION**

ACCESS FROM TOP  
1 PERSON REQUIRED  
TAP PRE-ASSEMBLED  
REDUCE INSTALLATION TIME

**01**

REMOVE PRE-ASSEMBLED TAP FROM CARTON

**02**

Lift the clamp plate to a new location (if it appears the flexible hose, then insert it into the top hole).  
Insert flexible hose into the top hole.

**03**

Tighten the clamp screw with a power screw driver to lock the clamp plate on the mounting surface.

**04**

Place the tap over the flange and align with the location pin.  
Tighten the grub screw at the rear of the tap.

**QFIT**

- QFIT taps supplied fully pre-assembled
- Reduced installation time – approximately 7 minutes
- One-man fit
- Easy installation from above worksurface
- Torque tightened for maximum reliability
- 100% safe and approved installation method
- Eliminates remedial works

Please view the QFIT installation video:  
[www.the1810company.co.uk/company-videos/qfit-installation/](http://www.the1810company.co.uk/company-videos/qfit-installation/)



NEOPERL  
AERATOR

Image shown  
QFIT COURBE CHROME



NEOPERL  
AERATOR

Image shown  
QFIT CASCATA CHROME

## TAP MODEL QFIT COURBE

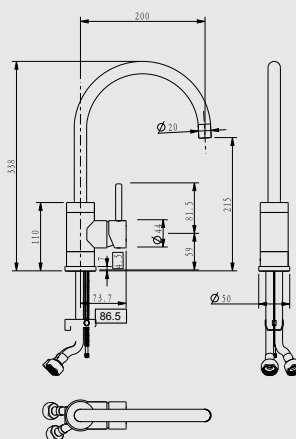
1810 Code  
COU/QFIT/01/CH  
Finished in chrome

1810 Code  
COU/QFIT/02/BS  
Finished in brushed steel

- Includes Neoperl Aerator and 1/2" flexible tails
- Min operating pressure - 0.5 bar
- Recommended operating pressure - 1 bar



Also available  
QFIT COURBE BRUSHED STEEL



## TAP MODEL QFIT CASCATA

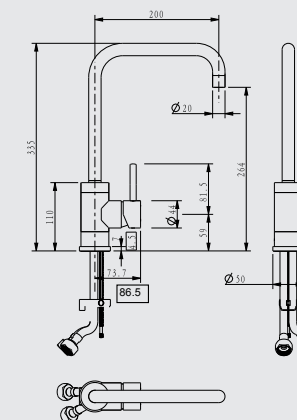
1810 Code  
CAS/QFIT/01/CH  
Finished in chrome

1810 Code  
CAS/QFIT/02/BS  
Finished in brushed steel

- Includes Neoperl Aerator and 1/2" flexible tails
- Min operating pressure - 0.5 bar
- Recommended operating pressure - 1 bar

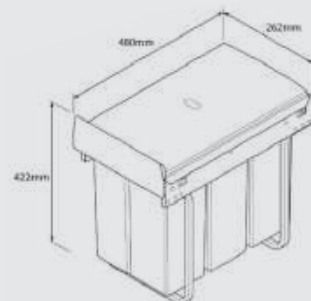


Also available  
QFIT CASCATA BRUSHED STEEL

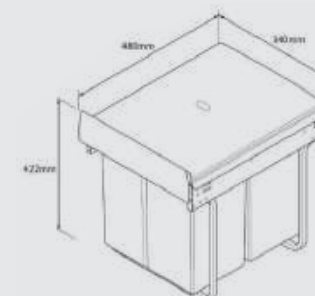


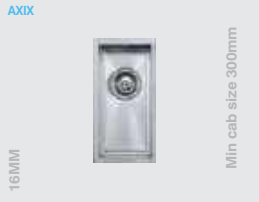
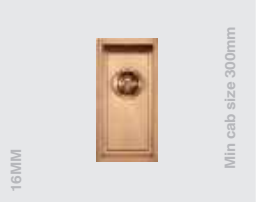

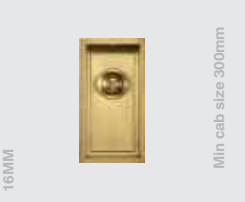
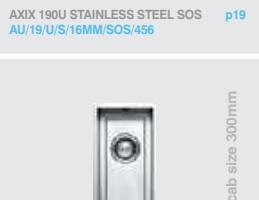
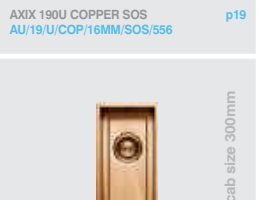

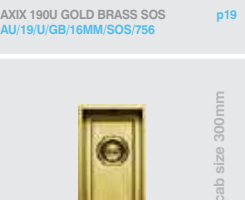
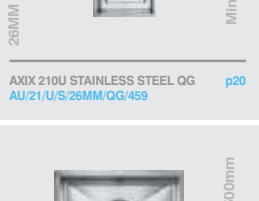
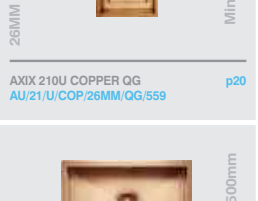

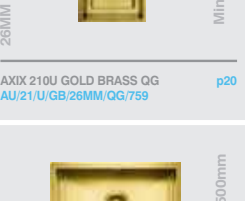
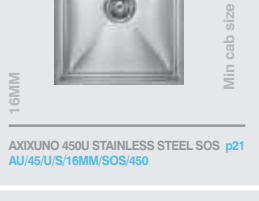
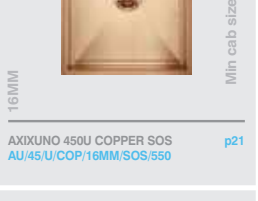
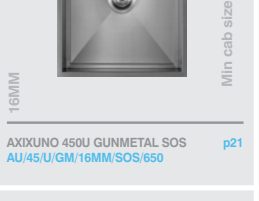
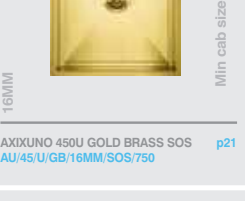
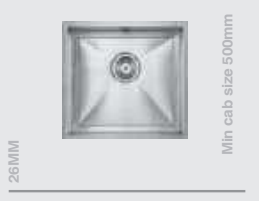
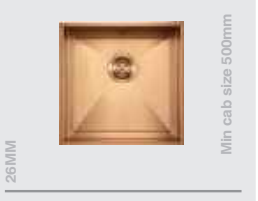
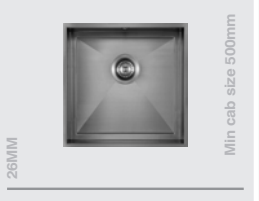
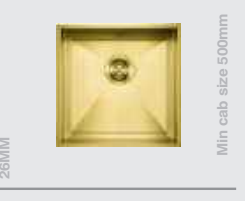
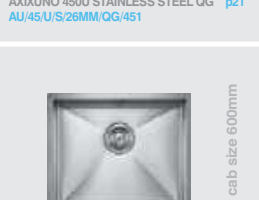
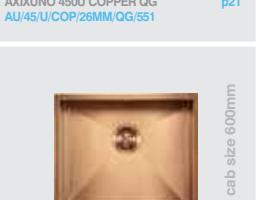
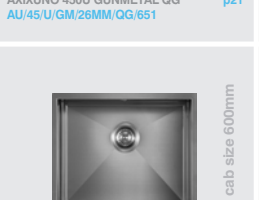
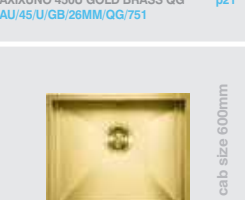

**WASTE BIN Model WSB 30 LITRE**
**1810 Code WSB/30/3X10/099**


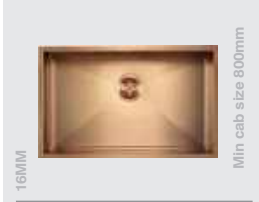
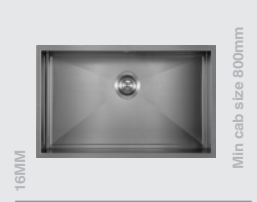
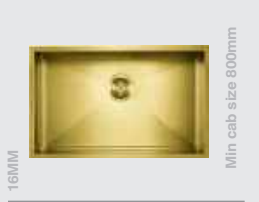
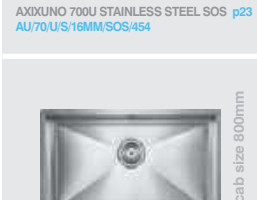
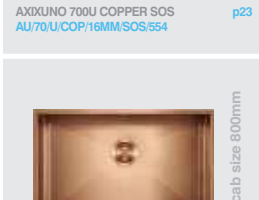

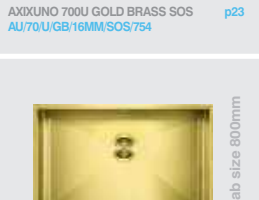
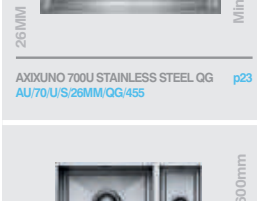
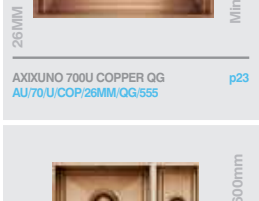

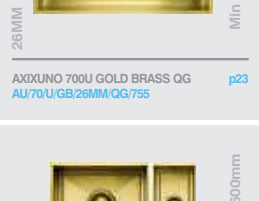

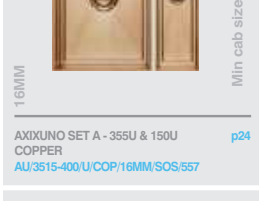

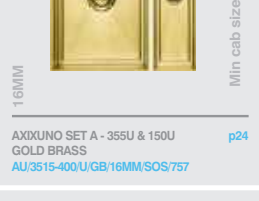

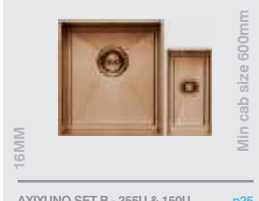

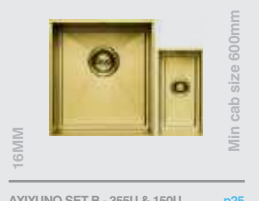
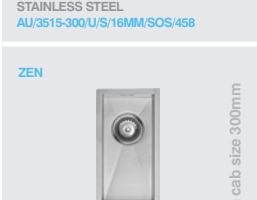
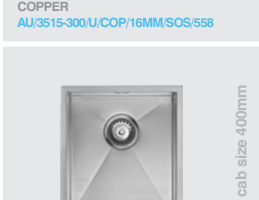

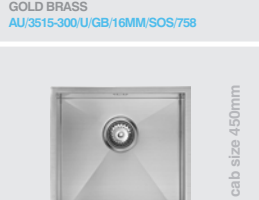
- Conforms to the code for sustainable homes
- 4 Credits
- Min cabinet size 300mm
- Suitable to fit under a sink bowl
- Bin size 3 x 10ltr with colour coded handles
- Operation manual with soft close technology
- 2 year warranty













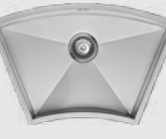












**WASTE BIN Model WSB 40 LITRE**
**1810 Code WSB/40/1x20-2x10/098**
















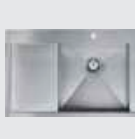


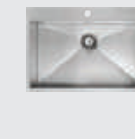



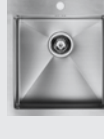
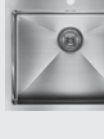
- Conforms to the code for sustainable homes
- 4 Credits
- Min cabinet size 400mm
- Suitable to fit under a sink bowl
- Bin size 1 x 20ltr & 2 x 10ltr with colour coded handles
- Operation manual with soft close technology
- 2 year warranty






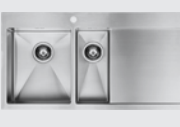




























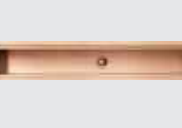



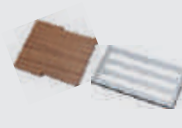











 <p>16MM</p> <p>Min cab size 300mm</p> <p>AXIX 190U STAINLESS STEEL SOS AU/19/U/S/16MM/SOS/456</p> <p>p19</p>	 <p>16MM</p> <p>Min cab size 300mm</p> <p>AXIX 190U COPPER SOS AU/19/U/COP/16MM/SOS/556</p> <p>p19</p>	 <p>16MM</p> <p>Min cab size 300mm</p> <p>AXIX 190U GUNMETAL SOS AU/19/U/GM/16MM/SOS/656</p> <p>p19</p>	 <p>16MM</p> <p>Min cab size 300mm</p> <p>AXIX 190U GOLD BRASS SOS AU/19/U/GB/16MM/SOS/756</p> <p>p19</p>
 <p>26MM</p> <p>Min cab size 300mm</p> <p>AXIX 210U STAINLESS STEEL QG AU/21/U/S/26MM/QG/459</p> <p>p20</p>	 <p>26MM</p> <p>Min cab size 300mm</p> <p>AXIX 210U COPPER QG AU/21/U/COP/26MM/QG/559</p> <p>p20</p>	 <p>26MM</p> <p>Min cab size 300mm</p> <p>AXIX 210U GUNMETAL QG AU/21/U/GM/26MM/QG/659</p> <p>p20</p>	 <p>26MM</p> <p>Min cab size 300mm</p> <p>AXIX 210U GOLD BRASS QG AU/21/U/GB/26MM/QG/759</p> <p>p20</p>
 <p>16MM</p> <p>Min cab size 500mm</p> <p>AXIXUNO 450U STAINLESS STEEL SOS AU/45/U/S/16MM/SOS/450</p> <p>p21</p>	 <p>16MM</p> <p>Min cab size 500mm</p> <p>AXIXUNO 450U COPPER SOS AU/45/U/COP/16MM/SOS/550</p> <p>p21</p>	 <p>16MM</p> <p>Min cab size 500mm</p> <p>AXIXUNO 450U GUNMETAL SOS AU/45/U/GM/16MM/SOS/650</p> <p>p21</p>	 <p>16MM</p> <p>Min cab size 500mm</p> <p>AXIXUNO 450U GOLD BRASS SOS AU/45/U/GB/16MM/SOS/750</p> <p>p21</p>
 <p>26MM</p> <p>Min cab size 500mm</p> <p>AXIXUNO 450U STAINLESS STEEL QG AU/45/U/S/26MM/QG/451</p> <p>p21</p>	 <p>26MM</p> <p>Min cab size 500mm</p> <p>AXIXUNO 450U COPPER QG AU/45/U/COP/26MM/QG/551</p> <p>p21</p>	 <p>26MM</p> <p>Min cab size 500mm</p> <p>AXIXUNO 450U GUNMETAL QG AU/45/U/GM/26MM/QG/651</p> <p>p21</p>	 <p>26MM</p> <p>Min cab size 500mm</p> <p>AXIXUNO 450U GOLD BRASS QG AU/45/U/GB/26MM/QG/751</p> <p>p21</p>
 <p>16MM</p> <p>Min cab size 600mm</p> <p>AXIXUNO 500U STAINLESS STEEL SOS AU/50/U/S/16MM/SOS/452</p> <p>p22</p>	 <p>16MM</p> <p>Min cab size 600mm</p> <p>AXIXUNO 500U COPPER SOS AU/50/U/COP/16MM/SOS/552</p> <p>p22</p>	 <p>16MM</p> <p>Min cab size 600mm</p> <p>AXIXUNO 500U GUNMETAL SOS AU/50/U/GM/16MM/SOS/652</p> <p>p22</p>	 <p>16MM</p> <p>Min cab size 600mm</p> <p>AXIXUNO 500U GOLD BRASS SOS AU/50/U/GB/16MM/SOS/752</p> <p>p22</p>
 <p>26MM</p> <p>Min cab size 600mm</p> <p>AXIXUNO 500U STAINLESS STEEL QG AU/50/U/S/26MM/QG/453</p> <p>p22</p>	 <p>26MM</p> <p>Min cab size 600mm</p> <p>AXIXUNO 500U COPPER QG AU/50/U/COP/26MM/QG/553</p> <p>p22</p>	 <p>26MM</p> <p>Min cab size 600mm</p> <p>AXIXUNO 500U GUNMETAL QG AU/50/U/GM/26MM/QG/653</p> <p>p22</p>	 <p>26MM</p> <p>Min cab size 600mm</p> <p>AXIXUNO 500U GOLD BRASS QG AU/50/U/GB/26MM/QG/753</p> <p>p22</p>









 <p>16MM</p> <p>Min cab size 800mm</p> <p>AXIXUNO 700U STAINLESS STEEL SOS AU/70/U/S/16MM/SOS/454</p> <p>p23</p>	 <p>16MM</p> <p>Min cab size 800mm</p> <p>AXIXUNO 700U COPPER SOS AU/70/U/COP/16MM/SOS/554</p> <p>p23</p>	 <p>16MM</p> <p>Min cab size 800mm</p> <p>AXIXUNO 700U GUNMETAL SOS AU/70/U/GM/16MM/SOS/654</p> <p>p23</p>	 <p>16MM</p> <p>Min cab size 800mm</p> <p>AXIXUNO 700U GOLD BRASS SOS AU/70/U/GB/16MM/SOS/754</p> <p>p23</p>
 <p>26MM</p> <p>Min cab size 800mm</p> <p>AXIXUNO 700U STAINLESS STEEL QG AU/70/U/S/26MM/QG/455</p> <p>p23</p>	 <p>26MM</p> <p>Min cab size 800mm</p> <p>AXIXUNO 700U COPPER QG AU/70/U/COP/26MM/QG/555</p> <p>p23</p>	 <p>26MM</p> <p>Min cab size 800mm</p> <p>AXIXUNO 700U GUNMETAL QG AU/70/U/GM/26MM/QG/655</p> <p>p23</p>	 <p>26MM</p> <p>Min cab size 800mm</p> <p>AXIXUNO 700U GOLD BRASS QG AU/70/U/GB/26MM/QG/755</p> <p>p23</p>
 <p>16MM</p> <p>Min cab size 600mm</p> <p>AXIXUNO SET A - 355U &amp; 150U STAINLESS STEEL AU/3515-400/U/S/16MM/SOS/457</p> <p>p24</p>	 <p>16MM</p> <p>Min cab size 600mm</p> <p>AXIXUNO SET A - 355U &amp; 150U COPPER AU/3515-400/U/COP/16MM/SOS/557</p> <p>p24</p>	 <p>16MM</p> <p>Min cab size 600mm</p> <p>AXIXUNO SET A - 355U &amp; 150U GUNMETAL AU/3515-400/U/GM/16MM/SOS/657</p> <p>p24</p>	 <p>16MM</p> <p>Min cab size 600mm</p> <p>AXIXUNO SET A - 355U &amp; 150U GOLD BRASS AU/3515-400/U/GB/16MM/SOS/757</p> <p>p24</p>
 <p>16MM</p> <p>Min cab size 600mm</p> <p>AXIXUNO SET B - 355U &amp; 150U STAINLESS STEEL AU/3515-300/U/S/16MM/SOS/458</p> <p>p25</p>	 <p>16MM</p> <p>Min cab size 600mm</p> <p>AXIXUNO SET B - 355U &amp; 150U COPPER AU/3515-300/U/COP/16MM/SOS/558</p> <p>p25</p>	 <p>16MM</p> <p>Min cab size 600mm</p> <p>AXIXUNO SET B - 355U &amp; 150U GUNMETAL AU/3515-300/U/GM/16MM/SOS/658</p> <p>p25</p>	 <p>16MM</p> <p>Min cab size 600mm</p> <p>AXIXUNO SET B - 355U &amp; 150U GOLD BRASS AU/3515-300/U/GB/16MM/SOS/758</p> <p>p25</p>
 <p>16MM</p> <p>Min cab size 300mm</p> <p>ZENUNO 180U ZU/18/U/S/017</p> <p>p28</p>	 <p>16MM</p> <p>Min cab size 400mm</p> <p>ZENUNO 340U ZU/34/U/S/018</p> <p>p29</p>	 <p>16MM</p> <p>Min cab size 400mm</p> <p>ZENUNO 340U DEEP ZU/34/U/D/S/70</p> <p>p30</p>	 <p>16MM</p> <p>Min cab size 450mm</p> <p>ZENUNO 400U ZU/40/U/S/019</p> <p>p31</p>
 <p>16MM</p> <p>Min cab size 450mm</p> <p>ZENUNO 400U DEEP ZU/40/U/D/S/071</p> <p>p32</p>	 <p>16MM</p> <p>Min cab size 500mm</p> <p>ZENUNO 450U ZU/45/U/S/020</p> <p>p33</p>	 <p>16MM</p> <p>Min cab size 600mm</p> <p>ZENUNO 500U ZU/50/U/S/021</p> <p>p34</p>	 <p>16MM</p> <p>Min cab size 600mm</p> <p>ZENUNO 500U DEEP ZU/50/U/D/S/074</p> <p>p35</p>




 Min cab size 600mm ZENUNO 500U OSW ZU/50/U/S/OSW/061 p36	 Min cab size 800mm ZENUNO 700U ZU/70/U/S/023 p37	 Min cab size 800mm ZENUNO 700U OSW ZU/70/U/S/OSW/062 p38	 Min cab size 600mm ZENDUO 340/180U ZD/3418/U/S/BBL/022 p39
 Min cab size 600mm ZENDUO 180/340U ZD/1834/U/S/BBR/024 p39	 Min cab size 800mm ZENDUO 550/180U ZD/5518/U/S/BBL/028 p40	 Min cab size 800mm ZENDUO 180/550U ZD/1855/U/S/BBR/029 p40	 Min cab size 1000mm ZENDUO 700/180U ZD/7018/U/D/S/072 p41
 Min cab size 800mm ZENDUO 340/340U ZD/3434/U/S/075 p42	 Min cab size 900mm ZENDUO 400/400U ZD/4040/U/S/025 p43	 Min cab size 900mm ZENDUO 415/415U DEEP ZD/4141/U/D/S/073 p44	 Min cab size 1000mm ZENTRIO 340/180/340U ZT/341834/U/S/115 p45
 Min cab size 800mm ZENUNO 675U CURVE ZU/675/U/S/200 p46	<b>ZEN 15</b>  Min cab size 300mm ZENUNO 15 200U ZU/20/U15/S/086 p48	 Min cab size 400mm ZENUNO 15 340U ZU/34/U15/S/087 p49	 Min cab size 450mm ZENUNO 15 400U ZU/40/U15/S/080 p50
 Min cab size 600mm ZENUNO 15 500U ZU/50/U15/S/088 p51	 Min cab size 600mm ZENUNO 15 500U OSW ZU/50/U15/S/OSW/066 p52	 Min cab size 600mm ZENUNO 15 550U ZU/55/U15/S/081 p53	 Min cab size 600mm ZENUNO 15 550U DEEP ZU/55/U15/D/S/078 p54
 Min cab size 800mm ZENUNO 15 700U ZU/70/U15/S/083 p55	 Min cab size 800mm ZENUNO 15 700U OSW ZU/70/U15/S/OSW/067 p56	 Min cab size 800mm ZENUNO 15 700U DEEP ZU/70/U15/D/S/077 p57	 Min cab size 600mm ZENDUO 15 340/180U ZD/3418/U15/S/BBL/085 p58

 Min cab size 600mm ZENDUO 15 180/340U ZD/1834/U15/S/BBR/082 p58	 Min cab size 900mm ZENDUO 15 550/200U ZD/5520/U15/S/BBL/150 p59	 Min cab size 900mm ZENDUO 15 200/550U ZD/2055/U15/S/BBR/151 p59	 Min cab size 900mm ZENDUO 15 400/400U ZD/4040/U15/S/084 p60
<b>ZEN15 PVD</b>  Min cab size 450mm ZENUNO 15 400U - COPPER ZU/40/U15/COP/600 p62	 Min cab size 450mm ZENUNO 15 400U - GUNMETAL ZU/40/U15/GM/601 p62	 Min cab size 450mm ZENUNO 15 400U - GOLD BRASS ZU/40/U15/GB/606 p62	 Min cab size 600mm ZENUNO 15 500U - COPPER ZU/50/U15/COP/602 p63
 Min cab size 600mm ZENUNO 15 500U - GUNMETAL ZU/50/U15/GM/603 p63	 Min cab size 600mm ZENUNO 15 500U - GOLD BRASS ZU/50/U15/GB/607 p63	 Min cab size 800mm ZENUNO 15 700U - COPPER ZU/70/U15/COP/604 p64	 Min cab size 800mm ZENUNO 15 700U - GUNMETAL ZU/70/U15/GM/605 p64
 Min cab size 800mm ZENUNO 15 700U - GOLD BRASS ZU/70/U15/GB/608 p64	<b>ZEN IF</b>  Min cab size 600mm ZENDUO 310/180 I-F BBL ZD/3118/IF/S/BBL/006 p66	 Min cab size 600mm ZENDUO 180/310 I-F BBR ZD/1831/IF/S/BBR/005 p66	 Min cab size 500mm ZENUNO 45 I-F DEEP ZU/45/IF/D/S/045 p67
 Min cab size 500mm ZENUNO 5 I-F BBL ZU/5/IF/S/BBL/039 p68	 Min cab size 500mm ZENUNO 5 I-F BBR ZU/5/IF/S/BBR/026 p68	 Min cab size 800mm ZENUNO 70 I-F DEEP BBL ZU/70/IF/D/S/BBL/040 p69	 Min cab size 800mm ZENUNO 70 I-F DEEP BBR ZU/70/IF/D/S/BBR/041 p69
 Min cab size 600mm ZENDUO 6 I-F BBL ZD/6/IF/S/BBL/038 p70	 Min cab size 600mm ZENDUO 6 I-F BBR ZD/6/IF/S/BBR/027 p70	<b>ZEN15 IF</b>  Min cab size 450mm ZENUNO 15 400 I-F ZU/40/IF/U15/S/089 p72	 Min cab size 600mm ZENUNO 15 500 I-F ZU/50/IF/U15/S/090 p73





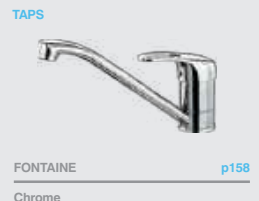
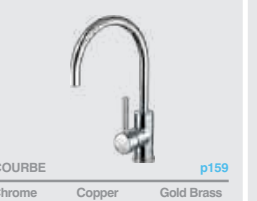




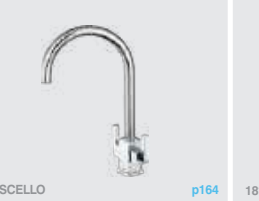





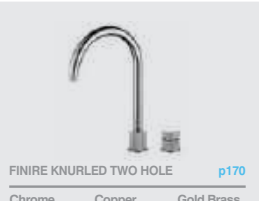

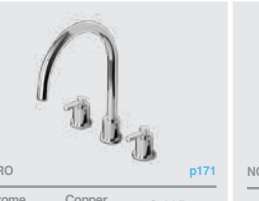

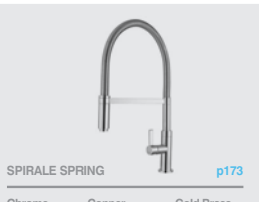


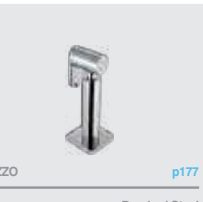
 Min cab size 800mm ZENUNO15 700 I-F ZU/70/IF/U15/S/099 p74	 Min cab size 500mm ZENUNO15 5 I-F BBL ZU/5/IF/U15/S/BBL/153 p75	 Min cab size 500mm ZENUNO15 5 I-F BBR ZU/5/IF/U15/S/BBR/152 p75	 Min cab size 600mm ZENUNO15 55 I-F BBL ZU/55/IF/U15/S/BBL/156 p76
 Min cab size 600mm ZENUNO15 55 I-F BBR ZU/55/IF/U15/S/BBR/157 p76	 Min cab size 600mm ZENDUO15 6 I-F BBL ZD/6/IF/U15/S/BBL/155 p77	 Min cab size 600mm ZENDUO15 6 I-F BBR ZD/6/IF/U15/S/BBR/154 p77	 Min cab size 800mm ZENDUO15 34/34 IF BBL ZD/3434/IF/U15/S/BBL/158 p78
 Min cab size 800mm ZENDUO15 34/34 IF BBR ZD/3434/IF/U15/S/BBR/159 p78	 ZEN15 XXL Min cab size 600mm ZENUNO15 550U XXL DEEP ZU/55/U15/D/S/XXL/501 p80	 Min cab size 900mm ZENUNO15 750U XXL DEEP ZU/75/U15/D/S/XXL/502 p81	 Min cab size 1000mm ZENDUO15 550/340U XXL DEEP ZD/5534/U15/D/S/XXL/503 p82
 Min cab size 1000mm ZENDUO15 340/550U XXL DEEP ZD/3455/U15/D/S/XXL/504 p82	 ZEN15 BELFAST Min cab size 500mm ZENUNO15 600U BELFAST ZU/600/15/BEL/S/860 p84	 ZEN10 OPTIONS Min cab size 500mm ZENUNO10 400 OPTIONS ZUO/40/U10/S/180 p87	 Min cab size 900mm ZENUNO10 800 OPTIONS ZUO/80/U10/S/181 p88
 Min cab size 1200mm ZENUNO10 1100 OPTIONS ZDO/1100/U10/S/REV/182 p89	 Min cab size 800mm ZENUNO10 700 OPTIONS ZUO/700/U10/S/REV/183 p90	 BAND - A COLANDER HOLDER INC BOWL AC-ZENOPT-COL p91	 BAND - A CHOPPING BOARD AC-ZENOPT-CB p91
 BAND - A LARGE GARNISH BOARD INC 6 POTS AC-ZENOPT-GB-LG p91	 BAND - B SMALL GARNISH BOARD INC 3 POTS AC-ZENOPT-GB-MD p92	 BAND - B SMALL GARNISH BOARD INC 2 POTS AC-ZENOPT-GB-SM p92	 BAND - B DRAINER WITH BARS 280MM AC-ZENOPT-DR-LG p92

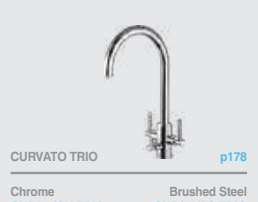











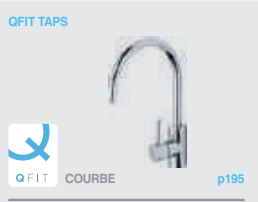




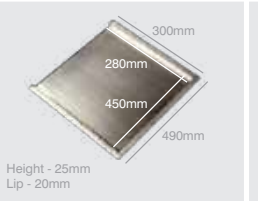
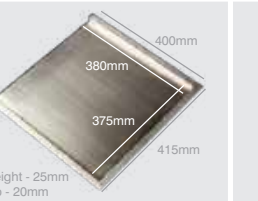
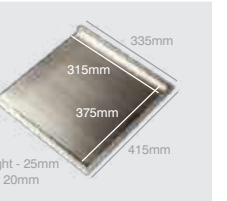
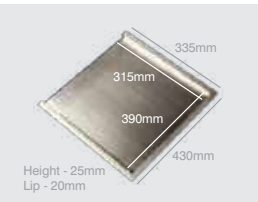


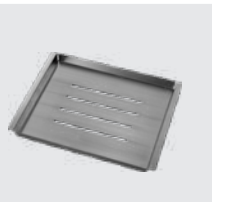
 BAND - B DRAINER WITH BARS 180MM AC-ZENOPT-DR-SM p92	 ACCESSIBLE Min cab size 450mm ZENUNO34 IF ACCESSIBLE BBL ZU/34/IF/U15/S/BBL/160 p94	 Min cab size 450mm ZENUNO34 IF ACCESSIBLE BBR ZU/34/IF/U15/S/BBR/161 p94	 ACCESSORY TROUGH ACCESSORY TROUGH 900 SS AC-CHAN/900/S/201 p96
 ACC TROUGH 900 COPPER AC-CHAN/900/S/203 p96	 ACC TROUGH 900 GUNMETAL AC-CHAN/900/GM/205 p96	 ACC TROUGH 900 GOLD BRASS AC-CHAN/900/GB/207 p96	 ACCESSORY TROUGH 1200 SS AC-CHAN/1200/S/202 p97
 ACC TROUGH 1200 COPPER AC-CHAN/1200/COP/204 p97	 ACC TROUGH 1200 GUNMETAL AC-CHAN/1200/GM/206 p97	 ACC TROUGH 1200 GOLD BRASS AC-CHAN/1200/GB/208 p97	 TROUGH ACCESSORIES PACK 1 AC-CHAN-PACK1 SS / COP / GM / GB p98
 TROUGH ACCESSORIES PACK 2 AC-CHAN-PACK2 SS / COP / GM / GB p98	 TROUGH ACCESSORIES PACK 3 AC-CHAN-PACK3 p98	 LUXSOPLUS Min cab size 300mm LUXSOPLUSUNO25 160U LPU/16/U25/S/350 p100	 Min cab size 300mm LUXSOPLUSUNO25 180U LPU/18/U25/S/351 p101
 Min cab size 400mm LUXSOPLUSUNO25 340U LPU/34/U25/S/352 p102	 Min cab size 500mm LUXSOPLUSUNO25 450U LPU/45/U25/S/353 p103	 Min cab size 600mm LUXSOPLUSUNO25 500U LPU/50/U25/S/354 p104	 Min cab size 800mm LUXSOPLUSUNO25 700U LPU/70/U25/S/355 p105
 Min cab size 600mm LUXSOPLUSUNO25 340/160U BBL LPD/3416/U25/S/BBL/357 p106	 Min cab size 600mm LUXSOPLUSUNO25 160/340U BBR LPD/1634/U25/S/BBR/356 p106	 Min cab size 600mm LUXSOPLUSUNO25 340/180U BBL LPD/3418/U25/S/BBL/359 p107	 Min cab size 600mm LUXSOPLUSUNO25 180/340U BBR LPD/1834/U25/S/BBR/358 p107


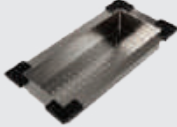

















 Min cab size 800mm LUXSODUPLUS25 500/180U BBL LPD/5018/U25/S/BBL/361 p108	 Min cab size 800mm LUXSOPLUSDUO25 180/500U BBR LPD/1850/U25/S/BBR/360 p108	 Min cab size 800mm LUXSOPLUSDUO25 340/340U LPD/3434/U25/S/362 p109	 Min cab size 1000mm LUXSOPLUSDUO25 450/450U LPD/4545/U25/S/363 p110
<b>ETRO</b>  Min cab size 300mm ETROUNO 170U EU/17/U/MS/034 p112	 Min cab size 400mm ETROUNO 340U EU/34/U/MS/035 p113	 Min cab size 450mm ETROUNO 400U EU/40/U/MS/036 p114	 Min cab size 600mm ETROUNO 550U EU/55/U/MS/037 p115
 Min cab size 600mm ETRODUO 589/450U REV ED/5845/U/MS/REV/031 p116	 Min cab size 600mm ETRODUO 589/450U BBL ED/5845/U/MS/BBL/032 p116	 Min cab size 600mm ETRODUO 589/450U BBR ED/5845/U/MS/BBR/033 p116	 Min cab size 800mm ETRODUO 781/450U BBL ED/7845/U/MS/ BBL/100 p117
 Min cab size 800mm ETRODUO 781/450U BBR ED/7845/U/MS/ BBR/101 p117	 Min cab size 900mm ETRODUO 535/191U BBL ED/5319/U/MS/BBL/103 p118	 Min cab size 900mm ETRODUO 191/535U BBR ED/1953/U/MS/BBR/104 118	 Min cab size 800mm ETRODUO 340/340U ED/3434/U/MS/105 p119
 Min cab size 1000mm ETROTRIO 960/450U ET/9645/U/MS/102 p120	<b>RAZOR10</b>  Min cab size 500mm RAZORUNO10 5 IF BBL RU/5/IF/U10/S/BBL/250 p122	 Min cab size 500mm RAZORUNO10 5 IF BBR RU/5/IF/U10/S/BBR/251 p122	 Min cab size 600mm RAZORUNO10 55 IF BBL RU/55/IF/U10/S/BBL/252 p123
 Min cab size 600mm RAZORUNO10 55 IF BBR RU/55/IF/U10/S/BBR/253 p123	 Min cab size 600mm RAZORDUO10 6 IF BBL RD/6/IF/U10/S/BBL/254 p124	 Min cab size 600mm RAZORDUO10 6 IF BBR RD/6/IF/U10/S/BBR/255 p124	<b>FORZA</b>  Min cab size 600mm FORZADUO 150I BBL FD/150/I/S/BBL/405 p126

 Min cab size 600mm FORZADUO 150I BBR FD/150/I/S/BBR/406 p126	 Min cab size 500mm FORZAUNO 800I BBL FU/80/I/S/BBL/401 p127	 Min cab size 500mm FORZAUNO 800I BBR FU/80/I/S/BBR/402 p127	 Min cab size 600mm FORZAUNO 100I LARGE BBL FU/100/I/S/BBL/LGE/403 p128
 Min cab size 600mm FORZAUNO 100I LARGE BBR FU/100/I/S/BBR/LGE/404 p128	<b>BORDO</b>  Min cab size 500mm BORDOUNO 800I BBL BU/80/I/S/BBL/420 p130	 Min cab size 500mm BORDOUNO 800I BBR BU/80/I/S/BBR/421 p130	 Min cab size 600mm BORDOUNO 100I LARGE BBL BU/100/I/S/BBL/LGE/422 p131
 Min cab size 600mm BORDOUNO 100I LARGE BBR BU/100/I/S/BBR/LGE/423 p131	 Min cab size 600mm BORDODUO 150I BBL BD/150/I/S/BBL/424 p132	 Min cab size 600mm BORDODUO 150I BBR BD/150/I/S/BBR/425 p132	<b>VELORE</b>  Min cab size 600mm VELOREDUO 100I VD/100/I/P/REV/048 p134
 Min cab size 500mm VELOREUNO 860I VU/86/I/P/REV/047 p135	 Min cab size 600mm VELOREUNO 100I LARGE VU/100/I/P/REV/LGE/050 p136	<b>PURQUARTZ BLADE</b>  Min cab size 450mm BLADEUNO 860I BLU/86/I/PQ/REV/ BL/900 CH/901 CO/902 GR/903 MO/904 WH/905 p138	 Min cab size 600mm BLADEUNO 100I LARGE BLU/100/I/PQ/REV/LGE/ BL/910 CH/911 CO/912 GR/913 MO/914 WH/915 p139
 Min cab size 600mm SHARDDUO 150I BLD/150/I/PQ/REV/ BL/920 CH/921 CO/922 GR/923 MO/924 WH/925 p140	<b>PURQUARTZ SHARD</b>  Min cab size 600mm SHARDDUO 615I SD/615/I/PQ/REV/ BL/800 WH/801 GR/802 CH/803 MO/804 CO/805 p142	 Min cab size 600mm SHARDUNO 100I Large SU/100/I/PQ/REV/ BL/810 WH/811 GR/812 CH/813 MO/814 CO/815 p143	 Min cab size 600mm SHARDDUO 150I SD/150/I/PQ/REV/ BL/820 WH/821 GR/822 CH/823 MO/824 CO/825 p144
<b>PURQUARTZ CAVA</b>  Min cab size 600mm CAVAUNO 469U CU/46/U/PQ/ BL/700 WH/701 GR/702 CH/703 MO/704 CO/705 p146	 Min cab size 800mm CAVAUNO 720U CU/72/U/PQ/ BL/710 WH/711 GR/712 CH/713 MO/714 CO/715 p147	 Min cab size 600mm CAVADUO 335/155U CD/3315/U/PQ/REV/ BL/720 WH/72 GR/722 CH/723 MO/724 CO/725 p148	<b>ARGILLA FIRECLAY</b>  Min cab size 300mm ARGILLA FIRECLAY 250 FCU/250/WH/851 p150



 Min cab size 500mm ARGILLA FIRECLAY 450 FCU/450/WH/852 p151	 Min cab size 600mm ARGILLA FIRECLAY 800 FCD/800/WH/853 p152	 Min cab size 600mm ARGILLA FIRECLAY BELFAST 595 FCU/595/BEL/WH/850 p153	 ETRODUO 343/136UC ED/3413/U/C/091-WH p156
<b>TAPS</b>			
 FONTAINE Chrome FON/01/CH p158	 COURBE Chrome COU/01/CH Copper COU/04/COP Gold Brass COU/06/GB Brushed Steel COU/02/BS Gunmetal COU/05/GM Matte Black COU/07/MB p159	 CASCATA Chrome CAS/01/CH Matte Black COU/07/MB Brushed Steel CAS/02/BS p160	 PLUIE Chrome PLU/01/CH Brushed Steel PLU/02/BS p161
 DAVANTI Chrome DAV/01/CH Brushed Steel DAV/02/BS p162	 CURVATO Chrome CUR/01/CH Brushed Steel CUR/02/BS p163	 RUSCELLO Chrome RUS/01/CH Brushed Steel RUS/02/BS p164	 1810XXX Chrome SEN/01/CH Brushed Steel SEN/02/BS p165
 PENDENZA Chrome PEN/01/CH Brushed Steel PEN/02/BS p166	 DAVANTI PULL OUT SPRAY Chrome DAV-P/01/CH Brushed Steel DAV-P/02/BS p167	 GRANDE Chrome GRA/01/CH Brushed Steel GRA/02/BS p168	 VERSARE Chrome VER/01/CH Brushed Steel VER/02/BS p169
 FINIRE KNURLED TWO HOLE Chrome FIN/01/CH Copper FIN/04/COP Gold Brass FIN/06/GB Brushed Steel FIN/02/BS Gunmetal FIN/05/GM p170	 FINIRE KNURLED HANDLE Chrome FIN/01/CH/ HANDLE Copper FIN/04/COP/ HANDLE Gold Brass FIN/06/GB/ HANDLE Brushed Steel FIN/02/BS/ HANDLE Gunmetal FIN/05/GM/ HANDLE p170	 AERO Chrome AER/01/CH Copper AER/04/COP Gold Brass AER/06/GB Brushed Steel AER/02/BS Gunmetal AER/05/GM p171	 NOVANTA Chrome NOV/01/CH Brushed Steel NOV/02/BS p172
 SPIRALE SPRING Chrome SPI-SPR/01/CH Copper SPI-SPR/04/COP Gold Brass SPI-SPR/06/GB Brushed Steel SPI-SPR/02/BS Gunmetal SPI-SPR/05/GM p173	 SPIRALE FLEXIBLE SPOUT KNURLED Chrome SPI-KNR/01/CH Copper SPI-KNR/04/COP Gold Brass SPI-KNR/06/GB Brushed Steel SPI-KNR/02/BS Gunmetal SPI-KNR/05/GM p174	 SPIRALE Chrome SPI/01/CH Copper SPI/04/COP Gold Brass SPI/06/GB Brushed Steel SPI/02/BS Gunmetal SPI/05/GM p175	 SPRUZZO Chrome SPR/01/CH Brushed Steel SPR/02/BS p177

 CURVATO TRIO Chrome CUR/01/CH-TRIO Brushed Steel CUR/02/BS-TRIO p178	 1810 XXX purquartz SEN/01/CH/PQ-BL SEN/01/CH/PQ-GR SEN/01/CH/PQ-CO SEN/01/CH/PQ-CH SEN/01/CH/PQ-WH SEN/01/CH/PQ-MO p180	 COURBE DUO purquartz COU-DUO/01/CH/PQ-BL p181	 COURBE DUO purquartz COU-DUO/01/CH/PQ-WH p182
 COURBE CHROME purquartz COU/01/CH/PQ-BL COU/01/CH/PQ-GR COU/01/CH/PQ-CO COU/01/CH/PQ-CH COU/01/CH/PQ-WH COU/01/CH/PQ-MO p183	 CASCATA CHROME purquartz CAS/01/CH/PQ-BL CAS/01/CH/PQ-GR CAS/01/CH/PQ-CO CAS/01/CH/PQ-CH CAS/01/CH/PQ-WH CAS/01/CH/PQ-MO p184	 COURBE COPPER purquartz COU/04/COP/PQ-BL COU/04/COP/PQ-GR COU/04/COP/PQ-CO COU/04/COP/PQ-CH COU/04/COP/PQ-WH COU/04/COP/PQ-MO p185	 CASCATA COPPER purquartz CAS/04/COP/PQ-BL CAS/04/COP/PQ-GR CAS/04/COP/PQ-CO CAS/04/COP/PQ-CH CAS/04/COP/PQ-WH CAS/04/COP/PQ-MO p186
 COURBE GOLD BRASS purquartz COU/06/GB/PQ-BL COU/06/GB/PQ-GR COU/06/GB/PQ-CO COU/06/GB/PQ-CH COU/06/GB/PQ-WH COU/06/GB/PQ-MO p187	 CASCATA GOLD BRASS purquartz CAS/06/GB/PQ-BL CAS/06/GB/PQ-GR CAS/06/GB/PQ-CO CAS/06/GB/PQ-CH CAS/06/GB/PQ-WH CAS/06/GB/PQ-MO p188	 RODEZ TWIN LEVER SINGLE Chrome ROD/01/CH Copper ROD/04/COP Gold Brass ROD/06/GB Brushed Steel ROD/02/BS Gunmetal ROD/05/GM p190	 MOULINES CLASSIC BRIDGE MIXER Chrome MOU/01/CH Copper MOU/04/COP Gold Brass MOU/06/GB Brushed Steel MOU/02/BS Gunmetal MOU/05/GM p191
 QFIT COURBE Chrome COU/QFIT/01/CH Brushed Steel COU/QFIT/02/BS p195	 QFIT CASCATA Chrome CAS/QFIT/01/CH Brushed Steel CAS/QFIT/02/BS p196	 WASTE BIN Model WSB 30 LITRE 1810 Code WSB/30/3X10/099 p197	 WASTE BIN Model WSB 40 LITRE 1810 Code WSB/40/1x20-2x10/098 p198
 CURVATO TRIO REPLACEMENT FILTER AC-FILTER p178	 MOBILE DRAINER FOR MODELS ZD/1831/IF/BBR & ZD/3118/IF/BBL AC-ZEN-IF-MD p180	 MOBILE DRAINER LARGE AC-ZEN-LGE-MD p181	 MOBILE DRAINER MEDIUM AC-ZEN-MDM-MD p182
 MOBILE DRAINER MEDIUM FOR TOP MOUNT AC-ZEN-MDM-MD/TOP p182	 ZEN COLANDER DRAINER STAINLESS STEEL AC-ZEN-COL-SS p184	 ZEN COLANDER DRAINER COPPER AC-ZEN-COL-COP p185	 ZEN COLANDER DRAINER GUNMETAL AC-ZEN-COL-GM p186

			
ZEN COLANDER DRAINER GOLD BRASS AC-ZEN-COL-GB	ZEN COLANDER AC-ZEN-CS	ZEN GLASS CHOPPING BOARD AC-ZEN-GB	STEEL BASKET/ETRO/ VELORE AC-UNI-SWB
			
BASKET STRAINER - WASTE PLUG AC-BSW-PLUG	WASTE TIDY STAINLESS STEEL Chrome AC-UNI-TIDY-SS Gunmetal AC-UNI-TIDY-GM Copper AC-UNI-TIDY-COP Gold Brass AC-UNI-TIDY-GB	BASKET STRAINER WASTE WITH O-FLOW AC-BSW-O	BASKET STRAINER WASTE O-FLOW-FOR SOLID SURFACE AC-BSW-O-SOS
			
MINI-BASKET STRAINER WASTE FOR SOLID SURFACE AC-BSW-MINI-SOS	POP-UP BASKET STRAINER WASTE CHROME AC-BSW-PU	AVAILABLE IN COPPER   GUNMETAL   GOLD BRASS BASKET STRAINER WASTE WITH O-FLOW - COPPER AC-BSW-COP	AVAILABLE IN COPPER   GUNMETAL   GOLD BRASS WASTE KIT WITH OVERFLOW AND LOZENGE - COPPER AC-BSW-PACK1-COP
			
AVAILABLE IN COPPER   GUNMETAL   GOLD BRASS WASTE KIT FOR CERAMIC SINK - COPPER AC-BSW-PACK2-COP	AVAILABLE IN COPPER   GUNMETAL   GOLD BRASS WASTE KIT WITH O-FLOW - PVD COPPER AC-BSW-PACK1-PVD-COP	BASKET STRAINER WASTE FOR BELFAST SINK (PLUG STYLE) AC-BSW-BEL	AVAILABLE IN STAINLESS STEEL COPPER   GUNMETAL   GOLD BRASS BASKET STRAINER WASTE FOR BELFAST SINK AC-BSW-BEL-SS
			
AVAILABLE IN STAINLESS STEEL COPPER   GUNMETAL   GOLD BRASS BASKET STRAINER WASTE FOR FIRECLAY SINK AC-BSW-FC-SS	MAXIMISER PLUMBING KIT MPK1-2	COMPACT PLUMBING KIT CPK1-2	

## Errors and Omissions.

Although every precaution is taken with the content of this brochure, errors can occur.

If you find an error, please contact us at sales@the1810company.co.uk

BASE UNIT SIZE GUIDE			
AXIX RANGE / STAINLESS STEEL / COPPER / GUNMETAL	MIN CAB SIZE (MM)	ACCESSIBLE / STAINLESS STEEL	MIN CAB SIZE (MM)
AXIXUNO 190U	300	ZENUNO34 IF ACCESSIBLE BBL + BBR	450
AXIX UNO 210U	300		
AXIXUNO 450U	500	<b>LUXSOPLUS / STAINLESS STEEL</b>	
AXIXUNO 500U	600	LUXSOPLUSUNO25 160U	300
AXIXUNO 700U	800	LUXSOPLUSUNO25 180U	300
AXIXUNO SET A	600	LUXSOPLUSUNO25 340U	400
AXIXUNO SET B	600	LUXSOPLUSUNO25 450U	500
		LUXSOPLUSUNO25 500U	600
		LUXSOPLUSUNO25 700U	800
<b>ZEN RANGE / STAINLESS STEEL</b>		LUXSOPLUSDUO25 340/160U BBL + BBR	600
ZENUNO 180U	300	LUXSOPLUSDUO25 340/180U BBL + BBR	600
ZENUNO 340U / 340U DEEP	400	LUXSOPLUSDUO25 500/180U BBL + BBR	800
ZENUNO 400U / 400U DEEP	450	LUXSOPLUSDUO25 340/340U	800
ZENUNO 450U	500	LUXSOPLUSDUO25 450/450U	1000
ZENUNO 500U / 500U DEEP / 500U OSW	600		
ZENUNO 700U / 700U OSW	800	<b>ETRO RANGE / STAINLESS STEEL</b>	
ZENDUO 340/180U + 180/340U	600	ETROUNO 170U	300
ZENDUO 550/180U + 180/550U	1000	ETROUNO 340U	400
ZENDUO 700/180U GRANDE DEEP	800	ETROUNO 400U	450
ZENDUO 340/340U	900	ETROUNO 550U	600
ZENDUO 400/400U	900	ETRODUO 589/450U REV + BBL + BBR	600
ZENDUO 415/415U DEEP	900	ETRODUO 781/450U BBL + BBR	800
ZENTRIO 340/180/340U	1000	ETRODUO 535/191U BBL + BBR	900
ZENUNO 675U CURVE	800	ETRODUO 340/340U	800
		ETROTRIO 960/450U	1000
<b>ZEN 15 RANGE / STAINLESS STEEL</b>			
ZENUNO15 200U	300	<b>RAZOR10 RANGE / STAINLESS STEEL</b>	
ZENUNO15 340U	400	RAZORUNO10 5 IF BBL + BBR	500
ZENUNO15 400U	450	RAZORUNO10 55 IF BBL + BBR	600
ZENUNO15 500U / 500U OSW	600	RAZORDUO10 6 IF BBL + BBR	600
ZENUNO15 550U / 550U DEEP	600		
ZENUNO15 700U / 700U OSW / 700U DEEP	800	<b>FORZA RANGE / STAINLESS STEEL</b>	
ZENDUO15 340/180U + 15 180/340U	800	FORZADUO 150i BBL + BBR	600
ZENDUO15 550/200U + 15 200/550U	900	FORZAUNO 800i BBL + BBR	500
ZENDUO15 400/400U	900	FORZAUNO 100i BBL + BBR	600
<b>ZEN15 PVD RANGE / COPPER / GUNMETAL</b>		<b>BORDO RANGE / STAINLESS STEEL</b>	
ZENUNO15 400U - COPPER / GUNMETAL / GOLD BRASS	450	BORDOUNO 800i BBL + BBR	500
ZENUNO15 500U - COPPER / GUNMETAL / GOLD BRASS	600	BORDOUNO 100i LARGE BBL + BBR	800
ZENUNO15 700U - COPPER / GUNMETAL / GOLD BRASS	800	BORDODUO 150i BBL + BBR	600
<b>ZEN I-F RANGE / STAINLESS STEEL</b>		<b>VELORE RANGE / STAINLESS STEEL</b>	
ZENDUO 180/310 I-F BBR + 310/180 I-F BBL	600	VELOREDUO 100i	600
ZENUNO 45 I-F DEEP	500	VELOREUNO 860i	500
ZENUNO 5 I-F BBL + BBR	500	VELOREUNO 100i LARGE	600
ZENUNO 70 I-F DEEP BBL + BBR	800		
ZENDUO 6 I-F BBL + BBR	600	<b>BLADE / PURQUARTZ</b>	
		BLADEUNO 860i	450
<b>ZEN15 I-F RANGE / STAINLESS STEEL</b>		BLADEUNO 100i LARGE	600
ZENUNO15 400 I-F	450	BLADEUNO 150i	600
ZENUNO15 500 I-F	600	<b>SHARD / PURQUARTZ</b>	
ZENUNO15 700 I-F	800	SHARDDUO 615i	600
ZENUNO15 5 I-F BBL + BBR	500	SHARDUNO 100i LARGE	600
ZENUNO15 55 I-F BBL + BBR	600	SHARDDUO 150i	600
ZENDUO15 6 I-F BBL + BBR	600		
ZENDUO15 34/34 IF BBL + BBR	800	<b>CAVA / PURQUARTZ</b>	
		CAVAUNO 469U	600
<b>ZEN15 XXL RANGE / STAINLESS STEEL</b>		CAVAUNO 720U	800
ZENUNO15 550U XXL DEEP	600	CAVADUO 355/155U	600
ZENUNO15 750U XXL DEEP	900		
ZENUNO15 550/340U XXL DEEP	1000	<b>ARGILLA FIREPLAY / CERAMIC</b>	
		ARGILLA FIRECLAY 250	300
<b>ZEN10 OPTIONS / STAINLESS STEEL</b>		ARGILLA FIRECLAY 450	500
ZENUNO10 400 OPTIONS	500		
ZENUNO10 800 OPTIONS	900	<b>ETRO RANGE / CERAMIC</b>	
ZENUNO10 1100 OPTIONS	1200	ETRODUO 343/136UC	600
ZENUNO10 700 OPTIONS	800		

## Care & Cleaning

General care of The 1810 Company stainless steel sink and tap

### Sinks

Discolouration and most marks on stainless steel are caused by water-borne deposits clinging to its surface. They are always the result of an outside source rather than coming from the steel itself. Such stains are often seen as a "rainbow-effect" and can be avoided completely by removing wet cleaning aids (cloths, containers etc.) from the sink after use so as to avoid watermarking and rust stains. One of the best ways to care for the sink is to clean it with a product called 'Quean Clean' (available from [www.queanclean.co.uk](http://www.queanclean.co.uk)) which can be used as required. It will also remove grease and limescale. It is helpful to dry the sink thoroughly after cleaning.

### Avoid:

- (a) the use of plastic bowls for washing up, as these cause heavy localised scratching;
- (b) leaving salt, vinegar, citric fruit juices, mustard or pickles on the surface for any length of time as they can cause corrosion;
- (c) abrasive cleaners such as bleach, scourers or wire woolpads.

### Taps

Care needs to be taken not to damage the tap finish – cleaning should be gentle with a rinsed soft mild soapy cloth only. If limescale is a problem around the nozzle then gentle use of a small brush with some lemon juice will help alleviate the problem – taking care to rinse away any remaining lemon juice from the tap.

### Scratching – stainless steel

The surface scratches which appear on stainless steel sinks rarely have any appreciable depth and will become less noticeable with age. A stainless steel sink will develop a patina with time and will look better a year after installation than during the first few months of use due to the fact that the scratching will have evened out. All sinks manufactured in stainless steel perform in exactly the same way in this respect be they manufactured by The 1810 Company or a competitor. We recommend the use of 'Quean Clean' which when used regularly will assist in maintaining your sink.

We would point out that the use of a plastic washing up bowl will over time cause the development of regular abrasion marks over the sink's surface. Inox Cream – for use on stainless steel to be used after 'Quean Clean'. To use the Inox Cream, apply with a damp cloth (like a J-Cloth) using circular motions, allow to dry (to a white powder), then buff off with kitchen roll. The Inox Cream forms a waterproof layer on your sink, which helps the water drain off easier.

### Rust Spots – stainless steel

The 1810 Company are extremely stringent in the quality and standards required from the steel suppliers. The material used is high quality stainless steel which is metallurgically incapable of rusting or corroding in normal household conditions.

It can, however, harbour ferrous particles from the water supply and these often occur with newer installations when the pipework is disturbed, or from 'wire' scouring pads or utensils. These filings get deposited and cling to the sink surface and unless removed will rust.

In this instance we would recommend that the sink is cleaned thoroughly using 'Quean Clean'. This should be sprinkled onto the sink and scrubbed into a paste with a stiff nylon nailbrush (NB simply using a nylon washing up brush is not sufficient as the product needs to be worked into the 'valleys' of the texture of the sink), which should be left on the sink for at least thirty minutes before thoroughly rinsing off.

We would point out that unless the particles are completely removed they will return. It is therefore very important that after cleaning the sink, it is dried thoroughly.

This process needs to continue at least daily for a period of 7 to 10 days until the problem disappears. The problem is sometimes particularly obstinate to remove and it may take several attempts to restore the sink to its pristine condition.

### Care & Cleaning of your CERAMICA | PURO Sink Cleaning

Your new 1810 company Ceramic Sink is a high quality product, and has an impervious surface that is resistant to most household cleaning products and chemicals. Our products are carefully tested to be sure they perform to the highest standards. Please use a damp clean cloth for general cleaning.

Should you need to remove grease, soap and water marks, a proprietary bathroom cleaner should be used. Please be sure that the products are non abrasive, as they will dull the gloss surface of the product if used. Using a diluted bleach solution twice weekly applied with a sponge or soft cloth, then rinsed thoroughly with lots of water, will maintain the surface shine and keep your sink hygienically clean.

(NB: Care should always be taken when using bleach, please read manufacturers instructions for use.) Tougher limescale deposits can usually be removed using household vinegar or similar vinegar solutions. Care should be taken when using substances containing fluoride. Always ensure that any deposits are removed immediately before they can cause damage to the sinks surface. Any stubborn marks on the surface can be removed by liquid or cream bathroom cleaner, but marks such as those caused by iron or aluminium saucepans or similar objects can be removed using specialist cleaning products such as 'Astonish Oven and Cookware Cleaner' which is available from most supermarkets or online at '[www.astonishcleaners.com](http://www.astonishcleaners.com)'.

### Care

Your new sink has a glazed ceramic surface, which although very strong, can be damaged by sharp metallic objects such as cutlery. Special care must be taken not to drop metal objects onto the surface of your sink.

### Care & Cleaning of your purquartz Sink

Daily cleaning may be done with any non-abrasive cleaner. After every use, rinse and wipe the sink dry with a clean, soft cloth to eliminate any water spots or soap film build-ups.

#### REMOVING STAINS AND MINOR SCUFF MARKS:

Normal Stains - for stains, please use a mild abrasive cleanser, along with a soft scouring pad. Stubborn Stains - A solution of 50% bleach, 50% water should only be used for tough, stubborn stains. Let the solution sit in the bottom of the sink for one hour; then scrub. Rinse well.

LUSTRE: Mineral oil applied with a damp cloth can be used to restore the lustre.

MISCELLANEOUS: To remove Calcium Deposits (a white ring around the bottom of your sink) use a lime scale cleaner.

To remove adhesive labels: use Acetone (nail polish remover).

#### WHAT NOT TO USE:

- (1) Do not use any abrasive cleaning agents or scrub pads, such as Steel wool
- (2) Straight bleach
- (3) Commercial alkalis, such as ammonia and/or caustic solutions
- (4) Drain blocking chemicals that involve filling the sink with water

Note: Always test any stain removers in a small, non-visible location

### Care & Cleaning of your PVD sink

We would advise that the sink is cleaned after each use with soapy water. To dry, use a soft cloth or sponge. This will help prevent water spotting and mineral build-up on the surface of the sink.

- (1) Never use steel wool in or on the sink (as it may leave steel deposits on the sink, which can cause rust)
- (2) Avoid all abrasive and aggressive chemicals.
- (3) Avoid using harsh chemicals or bleaches.
- (4) Avoid prolonged contact with ordinary steel containers (eg. Tin cans) as it may rust and stain the sink
- (5) Avoid prolonged exposures to acids from fruits, fruit juices, salts, tea bags etc, as these may leave stains
- (6) Avoid leaving liquid soaps, hand sanitizing liquids etc on the surface, as these may leave stains.

## Warranty Information

The 1810 Company products feature the highest degree of technology, quality and design. As a result, we are proud to offer the following warranty.

### Sinks

The 1810 Company warrants its sinks to be free of manufacturing defects in material and workmanship under normal residential usage for 75 years.

### Taps

All taps installed in a private residence carry a 5 year warranty on all mechanical parts to be free of manufacturing defects in material and workmanship under normal usage. All finishes carry a 5 year warranty.

### General

In the event of a warranty claim the owner will be required to provide proof of purchase in the form of a sales receipt. This warranty covers all components which make the product operational. The 1810 Company, at its option, may repair or replace the product or components necessary to restore the product to good working condition. The 1810 Company reserves the right to inspect the installation prior to the actual replacement of the product or component part.

This warranty does not cover misuse or abuse, accidental damages, scuffs or scratches, improper installation, abnormal usage, negligence or damage caused by improper maintenance or cleaning. Normal wear of parts is excluded from the warranty. Damage caused by impurities or acts beyond our control are not covered. Any product or part which has been repaired or altered in any manner outside of The 1810 Company's factory, unless previously authorised in writing by The 1810 Company, will void warranty. Any replacement excludes transportation and any labour re-installation costs.

SA37254 / Product Range 2020\_v14  
Design by [weareable.uk.com](http://weareable.uk.com)

**Head Office**

Units 14-16 Bromfield Industrial Estate  
Queens Lane Mold CH7 1JR

t. +44 (0) 1978 660 770

f. +44 (0) 1978 660 771

e. [sales@the1810company.co.uk](mailto:sales@the1810company.co.uk)

w. [www.the1810company.co.uk](http://www.the1810company.co.uk)

**London Showroom**

Suite 303 Business Design Centre  
52 Upper Street Islington London N1 0QH

t. +44 (0) 1978 660 770

f. +44 (0) 1978 660 771

e. [sales@the1810company.co.uk](mailto:sales@the1810company.co.uk)

w. [www.the1810company.co.uk](http://www.the1810company.co.uk)

**Ireland**

t. 01 485 4472 (ROI)

t. +44 (0) 1978 660 770

f. +44 (0) 1978 660 771

e. [sales@the1810company.ie](mailto:sales@the1810company.ie)

w. [www.the1810company.com](http://www.the1810company.com)

